



VRLA Rechargeable Battery

BC17-12



FEATURES

- Maintenance free(no water topping-up required)
- No free acid(Non-spillable battery)
- Can be used in any orientation(excluding used inverted)
- Absorbent Glass Mat technology for efficient gas recombination


APPLICATIONS

- UPS
- Fishing Lights
- Emergency Lights
- Video Camcorders(VCR)




SPECIFICATIONS

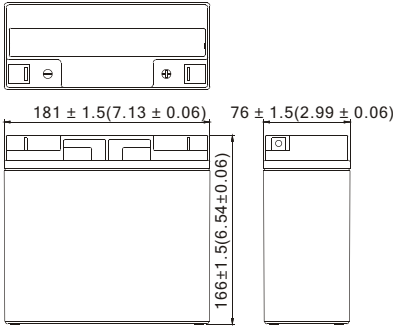
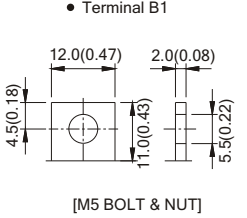
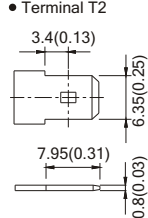
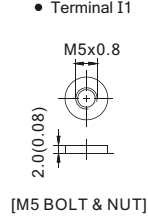
Nominal Voltage	12V
Nominal Capacity	17.00 Ah @ 20 hour rate F.V.(1.75V/cell)
Approx. Weight	5620g(12.39lbs.)
Terminals	B1 (Fitting M5 bolt & nut) , T2 and I1 are optional
Internal Resistance	≤ 16mΩ(Fully Charged)
Max. Discharge Current	255 A (5 sec.)
Max. Charge Current	5.1 A
Operating Temperature Range	Charge : 0°C~40°C(32°F~104°F) Discharge : -20°C~50°C(-4°F~122°F) Storage. : -20°C~40°C(-4°F~104°F)
Container Material	Standard: ABS(UL94 HB) BC17-12 Optional: Flame Retardant ABS(UL94 V-0) BC17-12FR



MH19884



- IEC 61056-1
- JIS C 8702-1
- GB/T 19639.1

DIMENSION(mm/inch)	OUTER DIMENSIONS	TERMINAL TYPE
<ul style="list-style-type: none"> ■ Length 181±1.5 (7.13±0.06) ■ Width 76±1.5 (2.99±0.06) ■ Container Height 166±1.5 (6.54±0.06) ■ Total Height 166±1.5 (6.54±0.06) 		<ul style="list-style-type: none"> ● Terminal B1  <p>[M5 BOLT & NUT]</p> ● Terminal T2  ● Terminal I1  <p>[M5 BOLT & NUT]</p> <p>Terminal Hardware Initial Torque: B1(2.5Nm±5%),I1(4.0Nm±5%)</p>

Constant power discharge characteristics at 25 °C/77 °F Unit: W

Discharge Time F.V.	5 Min	10 Min	15 Min	30 Min	1 Hr	3 Hr	5 Hr	10 Hr	20 Hr
10.8V	615	452	363	216	123.7	49.6	34.2	19.09	10.05
10.5V	711	490	379	224	127.4	50.5	34.7	19.38	10.20
10.2V	756	508	391	229	129.7	51.0	34.9	19.48	10.25
9.9V	790	520	400	232	131.3	51.4	35.0	19.54	10.28
9.6V	816	530	408	235	132.6	51.7	35.1	19.54	10.28

Constant current discharge characteristics at 25 °C/77 °F Unit: A

Discharge Time F.V.	5 Min	10 Min	15 Min	30 Min	1 Hr	3 Hr	5 Hr	10 Hr	20 Hr
10.8V	55.37	39.83	31.53	18.28	10.40	4.129	2.847	1.591	0.837
10.5V	65.27	43.15	32.98	18.98	10.71	4.212	2.890	1.615	0.850
10.2V	69.35	44.70	34.00	19.41	10.90	4.250	2.906	1.623	0.854
9.9V	72.46	45.77	34.78	19.68	11.03	4.280	2.916	1.628	0.857
9.6V	74.86	46.69	35.48	19.88	11.14	4.305	2.925	1.628	0.857

All data and artworks shall be changed without prior notice, BB reserves the right to explain and update the information contained herein.