



VRLA Rechargeable Battery

BP4.5-12



FEATURES

- Maintenance Free (topping up not needed)
- Non-spillable (no free electrolyte)
- Low Self Discharge, less than 3% per month
- both Vertical & Horizontal installations


APPLICATIONS

- UPS
- Electronic Doorbells
- Toy-Cars
- Fans




SPECIFICATIONS

Nominal Voltage	12 V
Nominal Capacity	4.5Ah @ 20 hour rate F.V.(1.75V/cell)
Approx. Weight	1840g(4.06lbs.)
Terminals	T1 (Faston Tab 187) T2 is optional
Internal Resistance	≤42m Ω (Fully Charged)
Max. Discharge Current	67.5 A (5 sec.)
Max. Charge Current	1.35 A
Operating Temperature Range	Charge: 0°C~40°C(32°F~104°F) Discharge: -20°C~50°C(-4°F~122°F) Storage: -20°C~40°C(-4°F~104°F)
Container Material	Standard: ABS(UL94 HB) BP4.5-12 Optional: Flame Retardant ABS(UL94 V-0) BP4.5-12FR

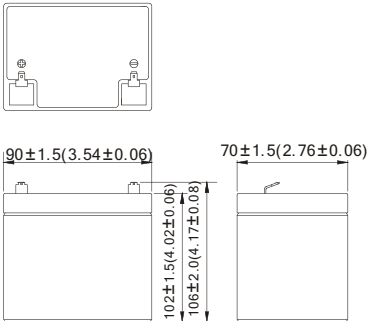
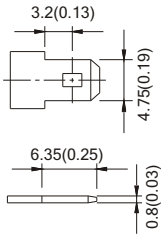
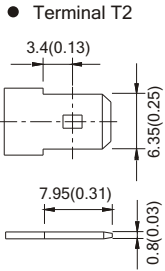


MH19884



C4M20310-2474-E-16

- IEC 61056-1
- JIS C 8702-1
- GB/T 19639.1

DIMENSION(mm/inch)	OUTER DIMENSIONS	TERMINAL TYPE
Length 90±1.5 (3.54±0.06) Width 70±1.5 (2.76±0.06) Container Height 102±1.5 (4.02±0.06) Total Height 106±2.0 (4.17±0.08)		<div style="display: flex; justify-content: space-around;"> <div style="text-align: center;"> <p>● Terminal T1</p>  </div> <div style="text-align: center;"> <p>● Terminal T2</p>  </div> </div>

Constant power discharge characteristics at 25 °C/77 °F Unit: W

F.V. (V/cell) \ Discharge Time	5 Min	10 Min	15 Min	30 Min	1 Hr	3 Hr	5 Hr	10 Hr	20 Hr
1.80V	162.7	119.8	96.0	57.1	32.75	13.12	9.04	5.054	2.660
1.75V	188.3	129.8	100.4	59.3	33.73	13.38	9.18	5.130	2.700
1.70V	200.1	134.4	103.5	60.6	34.34	13.50	9.23	5.156	2.712
1.65V	209.1	137.6	105.9	61.5	34.75	13.59	9.26	5.171	2.724
1.60V	216.0	140.4	108.0	62.1	35.10	13.68	9.29	5.171	2.724

Constant current discharge characteristics at 25 °C/77 °F Unit: A

F.V. (V/cell) \ Discharge Time	5 Min	10 Min	15 Min	30 Min	1 Hr	3 Hr	5 Hr	10 Hr	20 Hr
1.80V	14.66	10.54	8.35	4.84	2.75	1.09	0.754	0.421	0.222
1.75V	17.28	11.42	8.73	5.02	2.83	1.11	0.765	0.427	0.225
1.70V	18.36	11.83	9.00	5.14	2.89	1.12	0.769	0.430	0.226
1.65V	19.18	12.12	9.21	5.21	2.92	1.13	0.772	0.431	0.227
1.60V	19.82	12.36	9.39	5.26	2.95	1.14	0.774	0.431	0.227

All data and artworks shall be changed without prior notice, BB reserves the right to explain and update the information contained hereinto.