

ZELUS

GEL Technology Battery

GBC Deep Cycling

GBC 12/100

12V, 100Ah/C5

FEATURES

- GBC was designed with solid lead plated and gelled electrolyte technology.
- A deep-cycle lead-acid battery is designed to deliver a maximum capacity and cycles as discharging.
- High temperature stability, mechanical strength and low acid displacement.
- Superior performance with deep discharges.
- Patented safety valve to have accurate pressure operating for long battery life.

APPLICATIONS

- Golf Cars
- Power Wheelchairs
- Floor Sweepers
- Recreational Vehicle (RV)
- Renewable Energy



SPECIFICATIONS

Nominal Voltage	12 V
Nominal Capacity	100 Ah @ 5 hour rate F.V.(1.70V/cell)
Approx. Weight	39Kg(85.98lbs.)
Terminals	I2
Internal Resistance	≤5.0m Ω (Fully Charged)
Max. Discharge Current	800 A (5 sec.)
Max. Charge Current	20.0 A
Self Discharge	< 2% per month (25°C)
Operating Temperature Range	-20°C~55°C(-4°F~131°F)
Container Material	Standard: ABS(UL 94-HB) GBC 12/100 Optional: Flame Retardant ABS(UL 94-V0) GBC 12/100FR

Certificate as below:



Compliance of the standards as below:

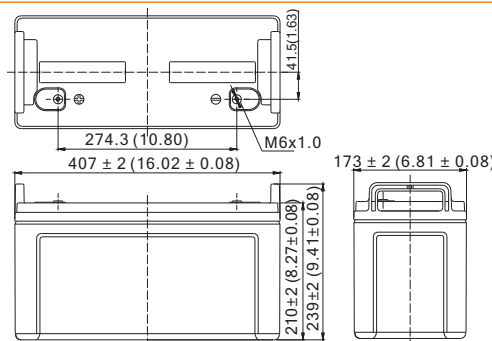
- GB/T 7403.1-2008
- IEC60254-1: 2005

DIMENSION(mm/inch)

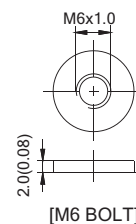
OUTER DIMENSIONS

TERMINAL TYPE

- Length
407±2.0 (16.02±0.08)
- Width
173±2.0 (6.81±0.08)
- Container Height
210±2.0 (8.27±0.08)
- Total Height
239±2.0 (9.41±0.08)



- Terminal I2



Terminal Hardware Initial Torque: I2(5.5Nm±5%)

Constant power discharge characteristics at 25 °C/77 °F

Unit: W

F.V. (V/cell) \ Discharge Time	30 Min	1 Hr	3 Hr	5 Hr	10 Hr	20 Hr
1.80V	1283	759	331	233.8	124.5	65.5
1.75V	1303	782	338	237.3	126.4	66.5
1.70V	1313	799	342	239.3	127.4	67.0
1.65V	1318	808	345	240.1	127.8	67.2
1.60V	1318	816	347	240.8	127.8	67.2

Constant current discharge characteristics at 25 °C/77 °F

Unit: A

F.V. (V/cell) \ Discharge Time	30 Min	1 Hr	3 Hr	5 Hr	10 Hr	20 Hr
1.80V	110.7	64.7	27.8	19.54	10.38	5.46
1.75V	112.9	66.7	28.3	19.83	10.53	5.54
1.70V	114.3	68.1	28.7	20.00	10.62	5.59
1.65V	115.7	68.9	28.9	20.07	10.65	5.60
1.60V	116.3	69.6	29.0	20.13	10.65	5.60

All data and artworks shall be changed without prior notice, BB reserves the right to explain and update the information contained hereinto.

For operation, please refer to the instruction from technical manual.

Trial A/4 REV. Apr. 2021

Powered by



B.B. Tech(Changsha) CO.,LTD