

VRLA Rechargeable Battery

HR50-12



Measures Technology Values Innovation

FEATURES

- Maintenance free(no water topping-up required)
- No free acid(Non-spillable battery)
- Can be used in any orientation(excluding used inverted)
- The battery is designed for high rate usage
- Absorbent Glass Mat technology for efficient gas recombination
- The power density at 5 min~15min discharging rate is 30% higher than BP series


APPLICATIONS

- UPS
- Wheelchairs
- Golf-Carts




SPECIFICATIONS

Nominal Voltage	12 V
Nominal Capacity	48Ah @ 10 hour rate F.V.(1.75V/cell)
Approx. Weight	15.3Kg(33.74lbs.)
Terminals	B2 (Fitting M5 bolt & nut) , I1 and I2 are optional
Internal Resistance	≤5mΩ (Fully Charged)
Max. Discharge Current	600 A (5 sec.)
Max. Charge Current	14.4 A
Operating Temperature Range	Charge 0°C~40°C(32°F~104°F) Discharge -20°C~50°C(-4°F~122°F) Storage. -20°C~40°C(-4°F~104°F)
Container Material	Standard: ABS(UL94 HB) HR50-12 Optional: Flame Retardant ABS(UL94 V-0) HR50-12FR

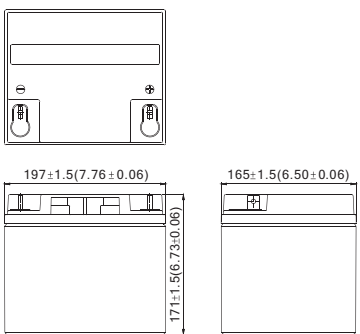
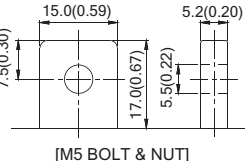
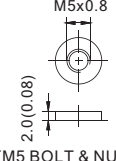
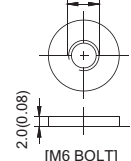


MH19884



C4M20310-2474-E-16

- IEC 61056-1
- JIS C 8702-1
- GB/T 19639.1

DIMENSION(mm/inch)	OUTER DIMENSIONS	TERMINAL TYPE
<p>■ Length</p> <p>197±1.5 (7.76±0.06)</p> <p>■ Width</p> <p>165±1.5 (6.50±0.06)</p> <p>■ Container Height</p> <p>171±1.5 (6.73±0.06)</p> <p>■ Total Height</p> <p>171±1.5 (6.73±0.06)</p>		<div style="display: flex; justify-content: space-around;"> <div style="text-align: center;"> <p>• Terminal B2</p>  <p>[M5 BOLT & NUT]</p> </div> <div style="text-align: center;"> <p>• Terminal I1</p>  <p>[M5 BOLT & NUT]</p> </div> <div style="text-align: center;"> <p>• Terminal I2</p>  <p>[M6 BOLT]</p> </div> </div> <p style="text-align: center;">Terminal Hardware Initial Torque: B2/I1(4.0Nm±5%),I2(5.5Nm±5%)</p>

Constant power discharge characteristics at 25 °C/77 °F										Unit: W
F.V. (V/cell)	Discharge Time	5 Min	10 Min	15 Min	20 Min	30 Min	40 Min	50 Min	60 Min	120 Min
1.80V		2050.0	1400.0	1014.0	865.0	658.0	500.0	418.0	368.0	202.8
1.70V		2450.0	1563.0	1103.0	916.0	685.0	519.0	431.0	376.0	206.7
1.60V		2625.0	1644.0	1153.0	950.0	700.0	531.0	440.0	383.0	210.0
1.50V		2700.0	1675.0	1178.0	965.0	709.0	538.0	445.0	386.0	211.1
1.40V		2750.0	1698.0	1191.0	974.0	714.0	541.0	449.0	389.0	211.7
1.30V		2775.0	1713.0	1200.0	980.0	718.0	544.0	451.0	390.0	212.2

Constant current discharge characteristics at 25 °C/77 °F										Unit: A
F.V. (V/cell)	Discharge Time	5 Min	10 Min	15 Min	20 Min	30 Min	40 Min	50 Min	60 Min	120 Min
1.80V		183.04	122.81	87.72	74.19	55.76	42.05	34.98	30.67	16.90
1.70V		222.73	137.11	95.42	78.56	58.05	43.65	36.07	31.33	17.23
1.60V		238.64	144.21	99.74	81.48	59.32	44.66	36.82	31.92	17.50
1.50V		245.45	146.93	101.90	82.76	60.08	45.25	37.24	32.17	17.59
1.40V		250.00	148.95	103.03	83.53	60.51	45.50	37.57	32.42	17.64
1.30V		252.27	150.26	103.81	84.05	60.85	45.75	37.74	32.50	17.68

All data and artworks shall be changed without prior notice, BB reserves the right to explain and update the information contained hereinto.