



VRLA Rechargeable Battery

BP230-12



FEATURES

- Maintenance Free (topping up not needed)
- Non-spillable (no free electrolyte)
- Low Self Discharge, less than 3% per month
- both Vertical & Horizontal installations
- integrated Flame Arrestor at each cell
- Carry Handles for easy installation


APPLICATIONS

- UPS
- Telecom Systems
- Switch Boards
- Photovoltaic Systems




SPECIFICATIONS

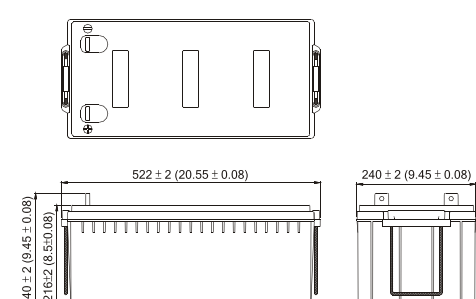
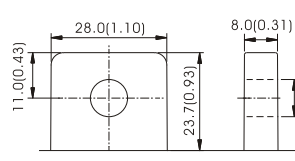
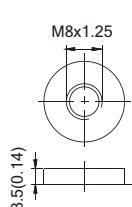
Nominal Voltage	12 V
Nominal Capacity	230Ah @ 20 hour rate F.V.(1.75V/cell)
Approx. Weight	72.5Kg(159.8lbs.)
Terminals	B9 (Fitting M8 bolt & nut) I3 is optional
Internal Resistance	≤2.5mΩ (Fully Charged)
Max. Discharge Current	800 A (5 sec.)
Max. Charge Current	69 A
Operating Temperature Range	Charge : 0°C~40°C(32°F~104°F) Discharge : -20°C~50°C(-4°F~122°F) Storage. : -20°C~40°C(-4°F~104°F)
Container Material	Standard: ABS(UL94 HB) BP230-12 Optional: Flame Retardant ABS(UL94 V-0) BP230-12FR



MH19884



- IEC 60896-21/22
- JIS C 8704-2
- GB/T 19638.2

DIMENSION(mm/inch)	OUTER DIMENSIONS	TERMINAL TYPE
<ul style="list-style-type: none"> ■ Length 522±2.0 (20.55±0.08) ■ Width 240±2.0 (9.45±0.08) ■ Container Height 216±2.0 (8.50±0.08) ■ Total Height B9:240±2.0 (9.45±0.08) I3:220±2.0 (8.66±0.08) 		<div style="display: flex; justify-content: space-around;"> <div style="text-align: center;"> <p>● Terminal B9</p>  <p>[M8 BOLT & NUT]</p> </div> <div style="text-align: center;"> <p>● Terminal I3</p>  <p>[M8 BOLT]</p> </div> </div> <p>Terminal Hardware Initial Torque: B9,I3(10.0Nm±5%)</p>

Constant power discharge characteristics at 25 °C/77 °F								Unit: W
Discharge Time F.V.	15 Min	30 Min	1 Hr	3 Hr	5 Hr	10 Hr	20 Hr	
10.8V	4283	2918	1674	670.3	462.3	258.3	135.9	
10.5V	4480	3029	1724	683.8	469.2	262.2	138.0	
10.2V	4618	3098	1755	690.0	471.8	263.5	138.7	
9.9V	4724	3141	1776	694.9	473.5	264.2	139.1	
9.6V	4819	3174	1794	698.9	474.8	264.2	139.1	

Constant current discharge characteristics at 25 °C/77 °F								Unit: A
Discharge Time F.V.	15 Min	30 Min	1 Hr	3 Hr	5 Hr	10 Hr	20 Hr	
10.8V	372.4	247.3	140.7	55.86	38.53	21.52	11.32	
10.5V	389.6	256.7	144.9	56.98	39.10	21.85	11.50	
10.2V	401.6	262.6	147.5	57.50	39.32	21.96	11.55	
9.9V	410.8	266.2	149.3	57.91	39.46	22.02	11.59	
9.6V	419.0	269.0	150.8	58.24	39.56	22.02	11.59	

All data and artworks shall be changed without prior notice, BB reserves the right to explain and update the information contained herein.

For operation, please refer to the instruction from technical manual.

B/3 REV. May, 2021

Powered by **B.B. Tech(Changsha)Co., Ltd.**