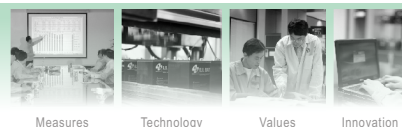


VRLA Rechargeable Battery

BP3-6



FEATURES

- Maintenance Free (topping up not needed)
- Non-spillable (no free electrolyte)
- Low Self Discharge, less than 3% per month
- both Vertical & Horizontal installations
- Its design life is up to 8 years in floating application


APPLICATIONS

- UPS
- Security Systems
- Medical Equipment
- Power Packs
- Emergency Lighting
- R/C Cars & Planes



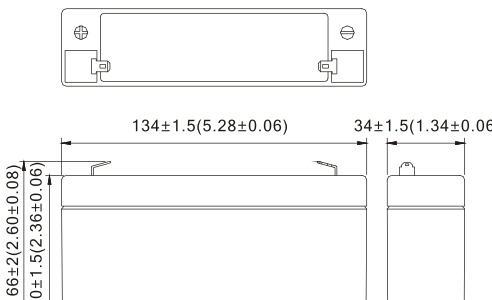
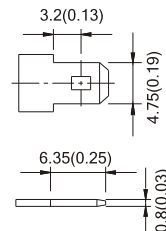
SPECIFICATIONS

Nominal Voltage	6 V
Nominal Capacity	3.0Ah @ 20 hour rate F.V.(1.75V/cell)
Approx. Weight	675g(1.49lbs.)
Terminals	T1 (Faston Tab 187)
Internal Resistance	≤25m Ω (Fully Charged)
Max. Discharge Current	45 A (5 sec.)
Max. Charge Current	0.9 A
Operating Temperature Range	Charge : 0°C~40°C(32°F~104°F) Discharge : -20°C~50°C(-4°F~122°F) Storage : -20°C~40°C(-4°F~104°F)
Container Material	Standard: ABS(UL94 HB) BP3-6 Optional: Flame Retardant ABS(UL94 V-0) BP3-6FR



MH19884

- IEC 61056-1
- JIS C 8702-1
- GB/T 19639.1

DIMENSION(mm/inch)	OUTER DIMENSIONS	TERMINAL TYPE
<ul style="list-style-type: none"> ■ Length 134±1.5 (5.28±0.06) ■ Width 34±1.5 (1.34±0.06) ■ Container Height 60±1.5 (2.36±0.06) ■ Total Height 66±2.0 (2.60±0.08) 		<ul style="list-style-type: none"> ● Terminal T1 

Constant power discharge characteristics at 25 °C/77 °F Unit: W

Discharge Time F.V.	5 Min	10 Min	15 Min	30 Min	1 Hr	3 Hr	5 Hr	10 Hr	20 Hr
5.40V	54.23	39.92	31.99	19.04	10.917	4.372	3.015	1.685	0.887
5.25V	62.77	43.25	33.46	19.76	11.245	4.460	3.060	1.710	0.900
5.10V	66.69	44.81	34.50	20.21	11.447	4.500	3.077	1.719	0.906
4.95V	69.69	45.88	35.29	20.50	11.584	4.531	3.087	1.724	0.906
4.80V	72.00	46.80	36.00	20.70	11.700	4.559	3.097	1.724	0.906

Constant current discharge characteristics at 25 °C/77 °F Unit: A

Discharge Time F.V.	5 Min	10 Min	15 Min	30 Min	1 Hr	3 Hr	5 Hr	10 Hr	20 Hr
5.40V	9.77	7.03	5.56	3.23	1.835	0.729	0.502	0.281	0.148
5.25V	11.52	7.61	5.82	3.35	1.890	0.743	0.510	0.285	0.150
5.10V	12.24	7.89	6.00	3.43	1.924	0.750	0.513	0.286	0.151
4.95V	12.79	8.08	6.14	3.47	1.947	0.755	0.515	0.287	0.151
4.80V	13.21	8.24	6.26	3.51	1.966	0.760	0.516	0.287	0.151

All data and artworks shall be changed without prior notice, BB reserves the right to explain and update the information contained hereinto.