



VRLA Rechargeable Battery

BP33-12 Standard Type



FEATURES

- Maintenance Free (topping up not needed)
- Non - spillable (no free electrolyte)
- Low Self Discharge, less than 3% per month
- both Vertical & Horizontal installations


APPLICATIONS

- UPS
- Wheelchairs
- Lawn Mowers
- Golf-Carts
- Electronic Medical Equipment




SPECIFICATIONS

Nominal Voltage	12 V
Nominal Capacity	33.0Ah @ 20 hour rate F.V.(1.75V/cell)
Approx. Weight	11250g(24.81lbs.)
Terminals	B7 (Fitting M6 bolt & nut)
Internal Resistance	≤9mΩ (Fully Charged)
Max. Discharge Current	495 A (5 sec.)
Max. Charge Current	9.9 A
Operating Temperature Range	Charge: 0°C~40°C(32°F~104°F) Discharge: -20°C~50°C(-4°F~122°F) Storage: -20°C~40°C(-4°F~104°F)
Container Material	Standard: ABS(UL94 HB) BP33-12 Optional: Flame Retardant ABS(UL94 V-0) BP33-12FR

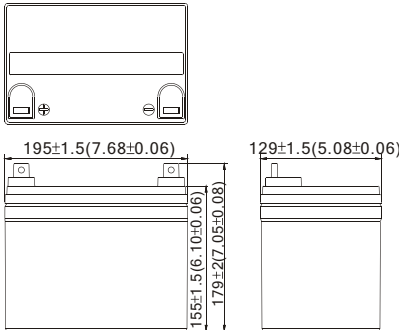
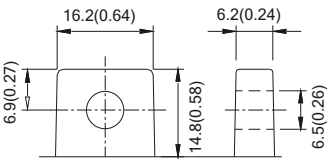


MH19884



C4M20310-2474-E-16

- IEC 61056-1
- JIS C 8702-1
- GB/T 19639.1

DIMENSION(mm/inch)	OUTER DIMENSIONS	TERMINAL TYPE
Length 195±1.5 (7.68±0.06) Width 129±1.5 (5.08±0.06) Container Height 155±1.5 (6.10±0.06) Total Height 179±2.0 (7.05±0.08)		<p>● Terminal B7</p>  <p>[M6 BOLT & NUT]</p> <p>Terminal Hardware Initial Torque: B7(5.5Nm±5%)</p>

Constant power discharge characteristics at 25 °C/77 °F Unit: W

F.V. (V/cell) \ Discharge Time	5 Min	10 Min	15 Min	30 Min	1 Hr	3 Hr	5 Hr	10 Hr	20 Hr
1.80V	1193	878	704	419	240.2	96.2	66.3	37.06	19.50
1.75V	1381	952	736	435	247.4	98.1	67.3	37.62	19.80
1.70V	1467	986	759	445	251.8	99.0	67.7	37.81	19.90
1.65V	1533	1009	776	451	254.9	99.7	67.9	37.92	19.96
1.60V	1584	1030	792	455	257.4	100.3	68.1	37.92	19.96

Constant current discharge characteristics at 25 °C/77 °F Unit: A

F.V. (V/cell) \ Discharge Time	5 Min	10 Min	15 Min	30 Min	1 Hr	3 Hr	5 Hr	10 Hr	20 Hr
1.80V	107.5	77.3	61.2	35.5	20.18	8.02	5.53	3.09	1.63
1.75V	126.7	83.8	64.0	36.8	20.79	8.18	5.61	3.13	1.65
1.70V	134.6	86.8	66.0	37.7	21.16	8.25	5.64	3.15	1.66
1.65V	140.7	88.9	67.5	38.2	21.42	8.31	5.66	3.16	1.66
1.60V	145.3	90.6	68.9	38.6	21.63	8.36	5.68	3.16	1.66

All data and artworks shall be changed without prior notice, BB reserves the right to explain and update the information contained hereinto.

For operation, please refer to the instruction from technical manual.

B/1 REV. May. 2021

Powered by **B.B. Tech(Changsha)Co., Ltd.**