



# VRLA Rechargeable Battery

## BP35-12 Finger Type



### FEATURES

- Maintenance Free ( topping up not needed )
- Non - spillable ( no free electrolyte )
- Low Self Discharge, less than 3% per month
- both Vertical & Horizontal installations


### APPLICATIONS

- UPS
- Wheelchairs
- Lawn Mowers
- Golf-Carts
- Electronic Medical Equipment




### SPECIFICATIONS

Nominal Voltage	12 V
Nominal Capacity	35.0Ah @ 20 hour rate F.V.(1.75V/cell)
Approx. Weight	11450g(25.25lbs.)
Terminals	B7 (Fitting M6 bolt & nut) I2 is optional
Internal Resistance	≤9mΩ (Fully Charged )
Max. Discharge Current	525 A (5 sec.)
Max. Charge Current	10.5 A
Operating Temperature Range	Charge: 0°C~40°C(32°F~104°F) Discharge: -20°C~50°C(-4°F~122°F) Storage: -20°C~40°C(-4°F~104°F)
Container Material	Standard: ABS( UL94 HB) BP35-12 Optional: Flame Retardant ABS(UL94 V-0) BP35-12FR

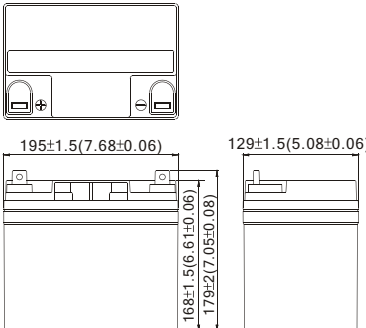
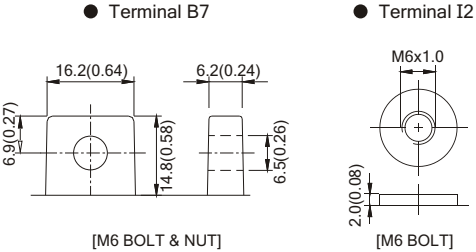


MH19884



C4M20310-2474-E-16

- IEC 61056-1
- JIS C 8702-1
- GB/T 19639.1

DIMENSION(mm/inch)	OUTER DIMENSIONS	TERMINAL TYPE
<ul style="list-style-type: none"> <li>■ Length 195±1.5 (7.68±0.06)</li> <li>■ Width 129±1.5 (5.08±0.06)</li> <li>■ Container Height 168±1.5 (6.61±0.06)</li> <li>■ Total Height B7:179±2.0 (7.05±0.08) I2:168±2.0 (6.61±0.08)</li> </ul>		<ul style="list-style-type: none"> <li>● Terminal B7</li> <li>● Terminal I2</li> </ul>  <p>Terminal Hardware Initial Torque: B7/I2(5.5Nm±5%)</p>

### Constant power discharge characteristics at 25 °C/77 °F Unit: W

F.V. (V/cell) \ Discharge Time	5 Min	10 Min	15 Min	30 Min	1 Hr	3 Hr	5 Hr	10 Hr	20 Hr
1.80V	1265	932	747	444	254.7	102.0	70.3	39.31	20.69
1.75V	1465	1009	781	461	262.4	104.1	71.4	39.90	21.00
1.70V	1556	1045	805	472	267.1	105.0	71.8	40.10	21.11
1.65V	1626	1071	824	478	270.3	105.7	72.0	40.22	21.17
1.60V	1680	1092	840	483	273.0	106.4	72.3	40.22	21.17

### Constant current discharge characteristics at 25 °C/77 °F Unit: A

F.V. (V/cell) \ Discharge Time	5 Min	10 Min	15 Min	30 Min	1 Hr	3 Hr	5 Hr	10 Hr	20 Hr
1.80V	114.0	82.0	64.9	37.6	21.4	8.50	5.86	3.28	1.72
1.75V	134.4	88.8	67.9	39.1	22.0	8.67	5.95	3.32	1.75
1.70V	142.8	92.0	70.0	40.0	22.4	8.75	5.98	3.34	1.76
1.65V	149.2	94.2	71.6	40.5	22.7	8.81	6.00	3.35	1.76
1.60V	154.1	96.1	73.0	40.9	22.9	8.86	6.02	3.35	1.76

All data and artworks shall be changed without prior notice, BB reserves the right to explain and update the information contained hereinto.