



VRLA Rechargeable Battery

BP4-12



FEATURES

- Maintenance Free (topping up not needed)
- Non-spillable (no free electrolyte)
- Low Self Discharge, less than 3% per month
- both Vertical & Horizontal installations


APPLICATIONS

- UPS
- Toy-Cars
- Fans
- Electronic Doorbells




SPECIFICATIONS

Nominal Voltage	12 V
Nominal Capacity	4.0Ah @ 20 hour rate F.V.(1.75V/cell)
Approx. Weight	1670g(3.68lbs.)
Terminals	T1 (Faston Tab 187) T2 is optional
Internal Resistance	≤45m Ω (Fully Charged)
Max. Discharge Current	60 A (5 sec.)
Max. Charge Current	1.2 A
Operating Temperature Range	Charge: 0°C~40°C(32°F~104°F) Discharge: -20°C~50°C(-4°F~122°F) Storage: -20°C~40°C(-4°F~104°F)
Container Material	Standard: ABS(UL94 HB) BP4-12 Optional: Flame Retardant ABS(UL94 V-0) BP4-12FR

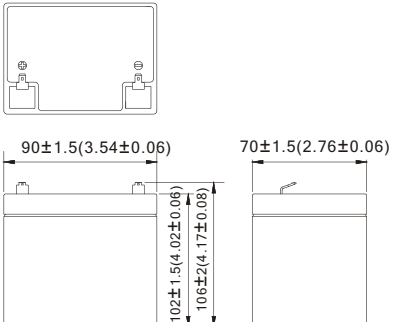
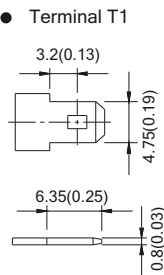
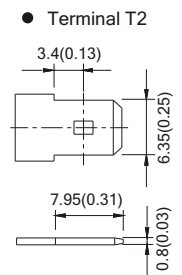


MH19884



C4M20310-2474-E-16

- IEC 61056-1
- JIS C 8702-1
- GB/T 19639.1

DIMENSION(mm/inch)	OUTER DIMENSIONS	TERMINAL TYPE
Length 90±1.5 (3.54±0.06)		Terminal T1 
Width 70±1.5 (2.76±0.06)		Terminal T2 
Container Height 102±1.5 (4.02±0.06)		
Total Height 106±2.0 (4.17±0.08)		

Constant power discharge characteristics at 25 °C/77 °F Unit: W

Discharge Time F.V. (V/cell)	5 Min	10 Min	15 Min	30 Min	1 Hr	3 Hr	5 Hr	10 Hr	20 Hr
1.80V	144.6	106.5	85.3	50.76	29.11	11.66	8.039	4.493	2.364
1.75V	167.4	115.3	89.2	52.69	29.99	11.89	8.160	4.560	2.400
1.70V	177.9	119.5	92.0	53.90	30.52	12.00	8.205	4.583	2.412
1.65V	185.8	122.4	94.1	54.65	30.89	12.08	8.233	4.596	2.424
1.60V	192.0	124.8	96.0	55.20	31.20	12.16	8.258	4.596	2.424

Constant current discharge characteristics at 25 °C/77 °F Unit: A

Discharge Time F.V. (V/cell)	5 Min	10 Min	15 Min	30 Min	1 Hr	3 Hr	5 Hr	10 Hr	20 Hr
1.80V	13.03	9.37	7.42	4.30	2.446	0.972	0.670	0.374	0.197
1.75V	15.36	10.15	7.76	4.47	2.520	0.991	0.680	0.380	0.200
1.70V	16.32	10.52	8.00	4.57	2.565	1.000	0.684	0.382	0.201
1.65V	17.05	10.77	8.18	4.63	2.596	1.007	0.686	0.383	0.202
1.60V	17.61	10.99	8.35	4.68	2.622	1.013	0.688	0.383	0.202

All data and artworks shall be changed without prior notice, BB reserves the right to explain and update the information contained hereinto.