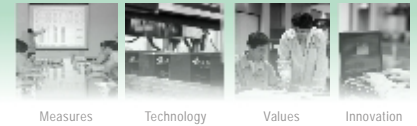




# VRLA Rechargeable Battery

## BPS17-12



### FEATURES

- Maintenance free(no water topping-up required).
- No free acid(Non-spillable battery).
- Low self-discharge rate, lower than 3% capacity loss per month.
- Can be used in any orientation(excluding used inverted).
- Absorbent Glass Mat technology for efficient gas recombination.


### APPLICATION

- UPS
- Fishing Lights
- Emergency Lights
- Lawn Mowers
- Video Camcorders(VCR)




### SPECIFICATIONS

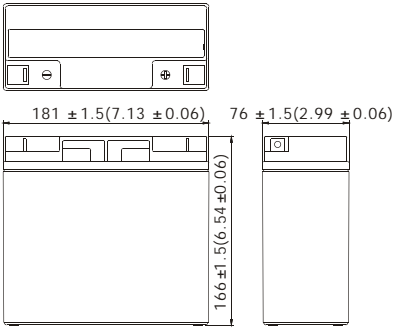
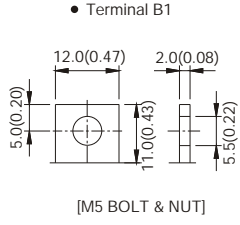
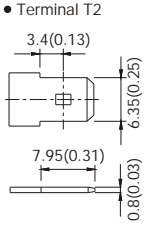
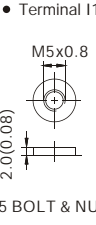
Nominal Voltage	12 V
Nominal Capacity	17.0Ah @ 20 hour rate F.V.(1.75V/cell)
Approx. Weight	6150g(13.56lbs.)
Terminals	B1 (Fitting M5 bolt & nut) , T2 and I1 are optional
Internal Resistance	≤16mΩ (Fully Charged )
Max. Discharge Current	255 A (5 sec.)
Max. Charge Current	5.1 A
Operating Temperature Range	Charge : 0°C~40°C(32°F~104°F) Discharge : -20°C~50°C(-4°F~122°F) Storage. : -20°C~40°C(-4°F~104°F)
Container Material	Standard: ABS( UL94 HB) BPS17-12 Optional: Flame Retardant ABS(UL94 V-0) BPS17-12FR



MH19884



- IEC 61056-1
- JIS C 8702-1
- GB/T 19639.1

DIMENSION(mm/inch)	OUTER DIMENSIONS	TERMINAL TYPE
<p>■ <b>Length</b> 181±1.5 (7.13±0.06)</p> <p>■ <b>Width</b> 76±1.5 (2.99±0.06)</p> <p>■ <b>Container Height</b> 166±1.5 (6.54±0.06)</p> <p>■ <b>Total Height</b> 166±1.5 (6.54±0.06)</p>		<p>● Terminal B1</p>  <p>[M5 BOLT &amp; NUT]</p> <p>● Terminal T2</p>  <p>● Terminal I1</p>  <p>[M5 BOLT &amp; NUT]</p> <p>Terminal Hardware Initial Torque: B1(2.5Nm±5%),I1(4.0Nm±5%)</p>

### Constant power discharge characteristics at 25 °C/77 °F Unit: W

Discharge Time F.V. (V/cell)	5 Min	10 Min	15 Min	30 Min	1 Hr	3 Hr	5 Hr	10 Hr	20 Hr
1.80V	615	452	363	216	123.7	49.6	34.2	19.09	10.05
1.75V	711	490	379	224	127.4	50.5	34.7	19.38	10.20
1.70V	756	508	391	229	129.7	51.0	34.9	19.48	10.25
1.65V	790	520	400	232	131.3	51.4	35.0	19.54	10.28
1.60V	816	530	408	235	132.6	51.7	35.1	19.54	10.28

### Constant current discharge characteristics at 25 °C/77 °F Unit: A

Discharge Time F.V. (V/cell)	5 Min	10 Min	15 Min	30 Min	1 Hr	3 Hr	5 Hr	10 Hr	20 Hr
1.80V	55.37	39.83	31.53	18.28	10.40	4.129	2.847	1.591	0.837
1.75V	65.27	43.15	32.98	18.98	10.71	4.212	2.890	1.615	0.850
1.70V	69.35	44.70	34.00	19.41	10.90	4.250	2.906	1.623	0.854
1.65V	72.46	45.77	34.78	19.68	11.03	4.280	2.916	1.628	0.857
1.60V	74.86	46.69	35.48	19.88	11.14	4.305	2.925	1.628	0.857

All data shall be changed without prior notice, BB reserves the right to explain and update the information contained hereinto.