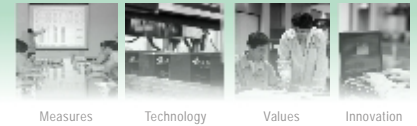




# VRLA Rechargeable Battery

## BPS7-12



### FEATURES

- Maintenance free(no water topping-up required).
- No free acid(Non-spillable battery).
- Low self-discharge rate, lower than 3% capacity loss per month.
- Can be used in any orientation(excluding used inverted).
- Absorbent Glass Mat technology for efficient gas recombination.

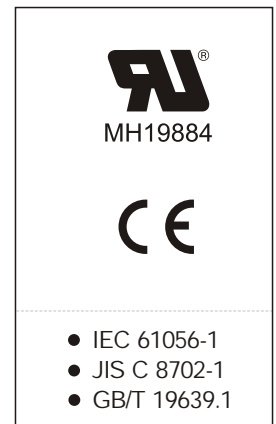
### APPLICATIONS

- UPS
- Laboratory Equipment
- Toy-Cars
- Power Packs
- Fishing Lights



### SPECIFICATIONS

Nominal Voltage	12 V
Nominal Capacity	7.00Ah @ 20 hour rate F.V.(1.75V/cell)
Approx. Weight	2540g(5.60lbs.)
Terminals	T2 (Faston Tab 250) T1 is optional
Internal Resistance	≤25mΩ (Fully Charged )
Max. Discharge Current	105 A (5 sec.)
Max. Charge Current	2.1 A
Operating Temperature Range	Charge : 0°C~40°C(32°F~104°F) Discharge : -20°C~50°C(-4°F~122°F) Storage. : -20°C~40°C(-4°F~104°F)
Container Material	Standard: ABS( UL94 HB) BPS7-12 Optional: Flame Retardant ABS(UI 94 V-0) BPS7-12FR

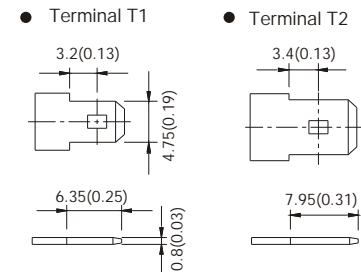
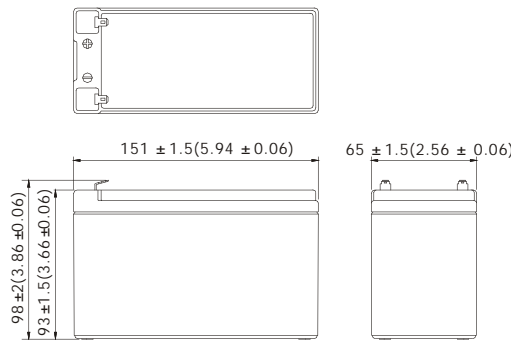


### DIMENSION(mm/inch)

### OUTER DIMENSIONS

### TERMINAL TYPE

- **Length**  
151±1.5(5.94±0.06)
- **Width**  
65±1.5(2.56±0.06)
- **Container Height**  
93±1.5(3.66±0.06)
- **Total Height**  
98±2.0(3.86±0.08)



### Constant power discharge characteristics at 25 °C/77 °F Unit: W

Discharge Time F.V. (V/cell)	5 Min	10 Min	15 Min	30 Min	1 Hr	3 Hr	5 Hr	10 Hr	20 Hr
1.80V	253	186	149	88.8	50.9	20.40	14.07	7.86	4.14
1.75V	293	202	156	92.2	52.5	20.81	14.28	7.98	4.20
1.70V	311	209	161	94.3	53.4	21.00	14.36	8.02	4.22
1.65V	325	214	165	95.6	54.1	21.15	14.41	8.04	4.24
1.60V	336	218	168	96.6	54.6	21.27	14.45	8.04	4.24

### Constant current discharge characteristics at 25 °C/77 °F Unit: A

Discharge Time F.V. (V/cell)	5 Min	10 Min	15 Min	30 Min	1 Hr	3 Hr	5 Hr	10 Hr	20 Hr
1.80V	22.8	16.4	13.0	7.53	4.28	1.70	1.172	0.655	0.345
1.75V	26.9	17.8	13.6	7.81	4.41	1.73	1.190	0.665	0.350
1.70V	28.6	18.4	14.0	7.99	4.49	1.75	1.196	0.668	0.352
1.65V	29.8	18.8	14.3	8.11	4.54	1.76	1.201	0.670	0.353
1.60V	30.8	19.2	14.6	8.19	4.59	1.77	1.204	0.670	0.353

All data shall be changed without prior notice, BB reserves the right to explain and update the information contained hereinto.