



VRLA Rechargeable Battery

EB24-12



FEATURES

- Absorbent Glass Mat technology for efficient gas recombination
- Maintenance free(no water topping-up required)
- No free acid(Non-spillable battery)
- Can be used in any orientation(excluding used inverted)
- The battery is designed for high power & high cyclic usage


APPLICATION

- UPS
- E-bike
- Wheelchairs
- Lawn Mowers
- Golf-Carts
- Electrical Scooter




SPECIFICATIONS

Nominal Voltage	12 V
Nominal Capacity	24Ah @ 20 hour rate F.V.(1.75V/cell)
Approx. Weight	7350g(16.2lbs.)
Terminals	Type BE
Internal Resistance	≤ 10mΩ (Fully Charged)
Max. Discharge Current	360 A (5 sec.)
Max. Charge Current	7.2 A
Operating Temperature Range	Charge: 0°C~40°C(32°F~104°F) Discharge: -20°C~50°C(-4°F~122°F) Storage: -20°C~40°C(-4°F~104°F)
Container Material	Standard: ABS(UL94 HB) EB24-12 Optional: Flame Retardant ABS(UL94 V-0) EB24-12FR

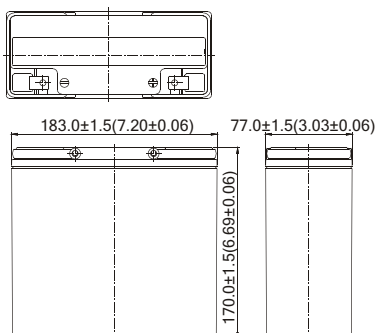
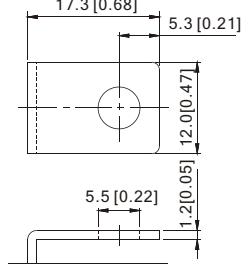


MH19884



CAM20310-2474-E-16

- IEC 61056-1
- JIS C 8702-1
- GB/T 19639.1

DIMENSION(mm/inch)	OUTER DIMENSIONS	TERMINAL TYPE
<ul style="list-style-type: none"> ■ Length 183±1.5 (7.20±0.06) ■ Width 77±1.5 (3.03±0.06) ■ Container Height 170±1.5 (6.69±0.06) ■ Total Height 170±1.5 (6.69±0.06) 		<ul style="list-style-type: none"> ● Terminal BE 

Constant power discharge characteristics at 25 °C/77 °F Unit: W

F.V. (V/cell) \ Discharge Time	10 Min	15 Min	30 Min	40 Min	1 Hr	2 Hr	3 Hr	5 Hr	10 Hr	20 Hr
1.80V	646.2	523.3	329.1	260.9	195.36	114.0	84.1	53.2	26.93	14.11
1.75V	700.1	548.1	342.1	270.5	201.00	117.0	85.8	53.9	27.36	14.40
1.70V	725.8	564.7	349.4	275.6	204.36	118.2	86.4	54.3	27.50	14.54
1.65V	743.2	577.9	354.6	279.6	207.12	119.4	87.0	54.7	27.65	14.69
1.60V	757.9	589.0	358.0	282.4	209.40	120.0	87.6	54.9	27.65	14.69
1.50V	772.7	601.1	361.3	285.3	211.56	120.6	88.1	54.8	27.65	14.69

Constant current discharge characteristics at 25 °C/77 °F Unit: A

F.V. (V/cell) \ Discharge Time	10 Min	15 Min	30 Min	40 Min	1 Hr	2 Hr	3 Hr	5 Hr	10 Hr	20 Hr
1.80V	56.9	45.5	27.9	22.0	16.42	9.50	7.01	4.44	2.24	1.18
1.75V	61.6	47.7	29.0	22.8	16.88	9.75	7.15	4.49	2.28	1.20
1.70V	63.9	49.1	29.6	23.3	17.17	9.85	7.20	4.52	2.29	1.21
1.65V	65.4	50.3	30.0	23.6	17.40	9.95	7.25	4.56	2.30	1.22
1.60V	66.7	51.2	30.3	23.9	17.59	10.00	7.30	4.57	2.30	1.22
1.50V	68.0	52.3	30.6	24.1	17.78	10.05	7.34	4.57	2.30	1.22

All data and artworks shall be changed without prior notice, BB reserves the right to explain and update the information contained hereinto.

For operation, please refer to the instruction from technical manual.

B/O REV. Apr. 2019

Powered by **B.B. Tech(Changsha)Co., Ltd.**