



VRLA Rechargeable Battery

EP100-12



FEATURES

- Absorbent Glass Mat technology for efficient gas recombination
- Maintenance free(no water topping-up required)
- No free acid(Non-spillable battery)
- Can be used in any orientation(excluding used inverted)
- The battery is designed for heavy duty cyclic application


APPLICATIONS

- UPS
- Telecom
- Golf-Carts




SPECIFICATIONS

Nominal Voltage	12 V
Nominal Capacity	100Ah @ 20 hour rate F.V.(1.75V/cell)
Approx. Weight	40.0Kg(88.2lbs.)
Terminals	B4 (Fitting M6 bolt & nut) I2 is optional
Internal Resistance	≤4.0mΩ (Fully Charged)
Max. Discharge Current	800 A (5 sec.)
Max. Charge Current	30 A
Operating Temperature Range	Charge 0°C~40°C(32°F~104°F) Discharge -20°C~50°C(-4°F~122°F) Storage. -20°C~40°C(-4°F~104°F)
Container Material	Standard: ABS(UL94 HB) EP100-12 Optional: Flame Retardant ABS(UL94 V-0) EP100-12FR

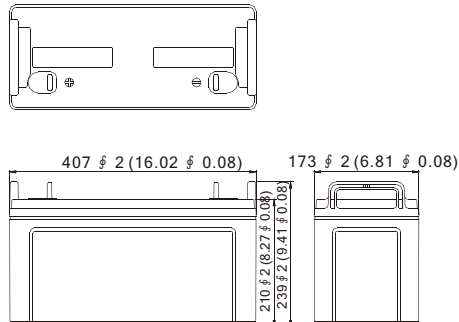
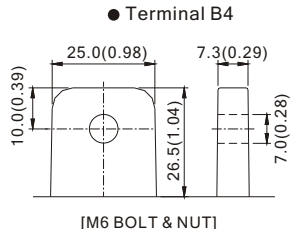
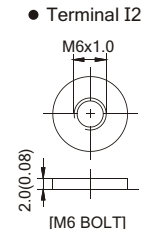


MH19884



C4M20310-2474-E-16

- IEC 60896-21/22
- JIS C 8704-2
- GB/T 19638.2

DIMENSION(mm/inch)	OUTER DIMENSIONS	TERMINAL TYPE
<ul style="list-style-type: none"> ■ Length 407±2.0 (16.02±0.08) ■ Width 173±2.0 (6.81±0.08) ■ Container Height 210±2.0 (8.27±0.08) ■ Total Height 239±2.0 (9.41±0.08) 		<div style="display: flex; justify-content: space-around;"> <div style="text-align: center;"> <p>● Terminal B4</p>  <p>[M6 BOLT & NUT]</p> </div> <div style="text-align: center;"> <p>● Terminal I2</p>  <p>[M6 BOLT]</p> </div> </div> <p style="text-align: center; font-size: small;">Terminal Hardware Initial Torque: B4,I2(5.5Nm±5%)</p>

Constant power discharge characteristics at 25 °C/77 °F								Unit: W
Discharge Time F.V. (V/cell)	15 Min	30 Min	1 Hr	3 Hr	5 Hr	10 Hr	20 Hr	
1.80V	1983	1193	691	291	201	112.3	58.7	
1.75V	2076	1239	711	297	204	114.0	60.0	
1.70V	2139	1266	724	300	206	114.6	60.3	
1.65V	2189	1284	734	303	207	114.9	60.4	
1.60V	2231	1297	741	304	207	114.9	60.4	

Constant current discharge characteristics at 25 °C/77 °F								Unit: A
Discharge Time F.V. (V/cell)	15 Min	30 Min	1 Hr	3 Hr	5 Hr	10 Hr	20 Hr	
1.80V	178.7	105.6	58.07	24.25	16.75	9.36	4.89	
1.75V	188.7	109.6	59.75	24.75	17.00	9.50	5.00	
1.70V	194.5	112.0	60.84	25.00	17.17	9.55	5.03	
1.65V	199.0	113.6	61.68	25.25	17.25	9.58	5.03	
1.60V	202.8	114.8	62.27	25.33	17.25	9.58	5.03	

All data and artworks shall be changed without prior notice, BB reserves the right to explain and update the information contained herein.

For operation, please refer to the instruction from technical manual.

B/2 REV. May, 2021

Powered by **B.B. Tech(Changsha)Co., Ltd.**