



VRLA Rechargeable Battery

FTB110-12



FEATURES

- Absorbent Glass Mat technology for efficient gas recombination
- Thermally welded case-to-cover bond to ensure a leak-proof case
- Front accessible terminal for ease of assembly
- Carry handles for ease of installation
- Strengthened rib design to maintain structural integrity
- Flame-arrestor is installed to ensure safety
- Battery design allows for 48VDC configuration in a standard 23" rack
- One-way self-resealing safety valve for long life guarantee

APPLICATION

- Telecom
- UPS
- Broadband
- Electric Utility
- Railroad Signal
- Central Office



SPECIFICATIONS

Nominal Voltage	12 V
Nominal Capacity	110Ah @ 8 hour rate F.V.(1.75V/cell)
Approx. Weight	41.1Kg(90.6lbs.)
Terminals	L1 (M8 Male Stud)
Internal Resistance	≤ 3.0m Ω (Fully Charged)
Max. Discharge Current	800 A (5 sec.)
Max. Charge Current	27.5 A
Operating Temperature Range	Charge : 0°C~40°C(32°F~104°F) Discharge : -20°C~50°C(-4°F~122°F) Storage : -20°C~40°C(-4°F~104°F)
Safety Valve	Opening pressure 10~35 kPa
Container Material	Standard: PP(UL 94-HB) FTB110-12 Optional: Flame Retardant PP(UL 94-V0) FTB110-12FR



- IEC60896
- BS6290/4
- GB/T 19638
- Eurobat guide

DIMENSION(mm/inch)

OUTER DIMENSIONS

TERMINAL TYPE

Length

560.0±2.0 (22.05±0.08)

Width

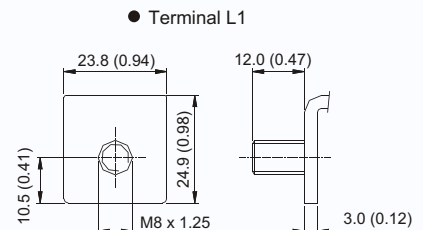
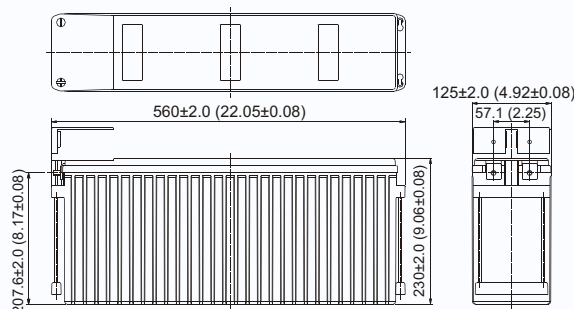
125.0±2.0 (4.92±0.08)

Container Height

230.0±2.0 (9.06±0.08)

Total Height

230.0±2.0 (9.06±0.08)



Terminal Hardware Initial Torque: 10.0Nm ±5%

Constant power discharge characteristics at 25 °C/77 °F

Unit: W

Discharge Time F.V. (V/cell)	15 Min	30 Min	45 Min	1 Hr	2 Hr	3 Hr	4 Hr	5 Hr	8 Hr	10 Hr	20 Hr
1.90V	1467	1226	895	712.1	433.7	322.6	255.6	213.6	145.20	118.44	62.88
1.85V	1731	1348	978	791.9	477.5	352.5	279.6	232.8	157.10	128.76	68.40
1.80V	1957	1433	1033	836.6	496.5	365.6	289.2	240.0	162.30	133.32	70.80
1.75V	2148	1486	1068	856.5	505.9	370.4	294.0	244.8	165.00	134.64	72.00
1.70V	2300	1519	1089	870.6	510.7	374.0	296.4	246.0	165.00	134.64	72.00
1.65V	2400	1542	1104	882.4	515.4	377.6	298.8	247.2	165.00	134.64	72.00
1.60V	2444	1556	1113	887.7	517.5	378.9	299.7	247.9	165.36	134.88	72.07

Constant current discharge characteristics at 25 °C/77 °F

Unit: A

Discharge Time F.V. (V/cell)	15 Min	30 Min	45 Min	1 Hr	2 Hr	3 Hr	4 Hr	5 Hr	8 Hr	10 Hr	20 Hr
1.90V	123.9	102.1	74.6	60.60	36.60	27.00	21.30	17.80	12.10	9.87	5.24
1.85V	146.5	113.5	82.1	67.40	40.30	29.50	23.30	19.40	13.09	10.73	5.70
1.80V	167.9	121.4	87.1	71.20	41.90	30.60	24.10	20.00	13.53	11.11	5.90
1.75V	187.7	125.9	90.0	72.90	42.70	31.00	24.50	20.40	13.75	11.22	6.00
1.70V	203.0	128.8	91.8	74.10	43.10	31.30	24.70	20.50	13.75	11.22	6.00
1.65V	212.3	130.6	93.1	75.10	43.50	31.60	24.90	20.60	13.75	11.22	6.00
1.60V	216.2	131.9	93.9	75.55	43.67	31.71	24.97	20.66	13.78	11.24	6.01

All data and artworks shall be changed without prior notice, BB reserves the right to explain and update the information contained herein.