

ZELUS

GEL Technology Battery

GBC Deep Cycling

GBC 12/105

12V, 105Ah/C5

FEATURES

- GBC was designed with solid lead plated and gelled electrolyte technology.
- A deep-cycle lead-acid battery is designed to deliver a maximum capacity and cycles as discharging.
- High temperature stability, mechanical strength and low acid displacement.
- Superior performance with deep discharges.
- Patented safety valve to have accurate pressure operating for long battery life.

APPLICATION

- Golf Cars
- Power Wheelchairs
- Floor Sweepers
- Recreational Vehicle (RV)
- Renewable Energy



SPECIFICATIONS

Nominal Voltage	12 V
Nominal Capacity	105 Ah @ 5 hour rate F.V.(1.70V/cell)
Approx. Weight	40Kg(88.18lbs.)
Terminals	I2
Internal Resistance	≤7mΩ (Fully Charged)
Max. Discharge Current	800 A (5 sec.)
Max. Charge Current	21.0 A
Self Discharge	< 2% per month (25°C)
Operating Temperature Range	-20°C~55°C(-4°F~131°F)
Container Material	Standard: ABS(UL 94-HB) GBC 12/105 Optional: Flame Retardant ABS(UL 94-V0) GBC 12/105FR

ISO9001 MH19884

ISO14001 C4M20310-2474-E-16

OHSMS

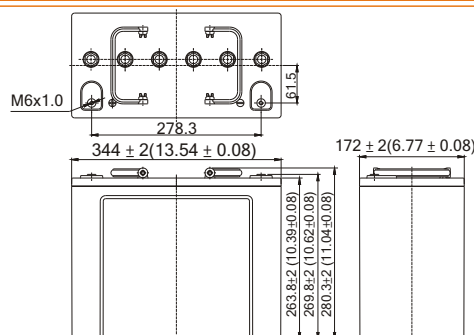
- GB/T 7403.1-2008
- IEC60254-1: 2005

DIMENSION(mm/inch)

OUTER DIMENSIONS

TERMINAL TYPE

- Length
344±2.0 (13.54±0.08)
- Width
172±2.0 (6.77±0.08)
- Container Height
263.8±2.0 (10.39±0.08)
- Total Height
280.3±2.0 (11.04±0.08)



Terminal Hardware Initial Torque: 5.5Nm±5%

Constant power discharge characteristics at 25 °C/77 °F

Unit: W

Discharge Time F.V. (V/cell)	30 Min	1 Hr	3 Hr	5 Hr	10 Hr	20 Hr
1.80V	1334	842	354.7	246.1	138.0	71.92
1.75V	1354	864	360.0	249.8	140.9	71.95
1.70V	1364	882	363.9	252.0	142.0	73.53
1.65V	1369	891	367.5	253.0	142.7	73.68
1.60V	1369	899	369.4	253.6	142.7	73.68

Constant current discharge characteristics at 25 °C/77 °F

Unit: A

Discharge Time F.V. (V/cell)	30 Min	1 Hr	3 Hr	5 Hr	10 Hr	20 Hr
1.80V	111.2	70.2	29.56	20.51	11.50	5.993
1.75V	112.8	72.0	30.00	20.82	11.74	5.996
1.70V	113.7	73.5	30.32	21.00	11.84	6.128
1.65V	114.1	74.2	30.63	21.08	11.89	6.140
1.60V	114.1	74.9	30.78	21.14	11.89	6.140

All data and artworks shall be changed without prior notice, BB reserves the right to explain and update the information contained hereinto.