

ZELUS

GEL Technology Battery

■ GBC Deep Cycling

GBC 12/180

12V, 180Ah/C5

FEATURES

- GBC was designed with solid lead plated and gelled electrolyte technology.
- A deep-cycle lead-acid battery is designed to deliver a maximum capacity and cycles as discharging.
- High temperature stability, mechanical strength and low acid displacement.
- Superior performance with deep discharges.
- Patented safety valve to have accurate pressure operating for long battery life.

APPLICATIONS

- Golf Cars
- Power Wheelchairs
- Floor Sweepers
- Recreational Vehicle (RV)
- Renewable Energy



SPECIFICATIONS

Nominal Voltage	12 V
Nominal Capacity	180 Ah @ 5 hour rate F.V.(1.70V/cell)
Approx. Weight	66.5Kg(146.7lbs.)
Terminals	B9 (Fitting M8 bolt & nut) I3 is optional
Internal Resistance	≤3.5m Ω (Fully Charged)
Max. Discharge Current	800 A (5 sec.)
Max. Charge Current	36.0 A
Self Discharge	< 2% per month (25°C)
Operating Temperature Range	-20°C~55°C(-4°F~131°F)
Container Material	Standard: ABS(UL94 HB) GBC 12/180 Optional: Flame Retardant ABS(UL94 V-0) GBC 12/180FR



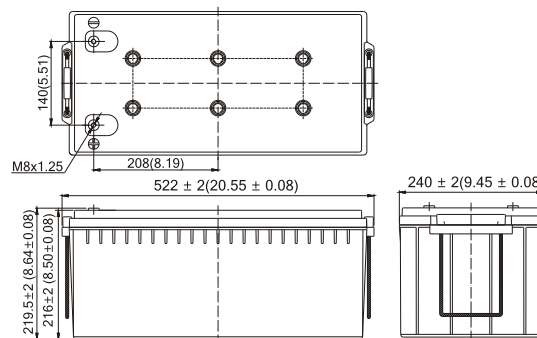
- GB/T 7403.1-2008
- IEC60254-1: 2005

DIMENSION(mm/inch)

OUTER DIMENSIONS

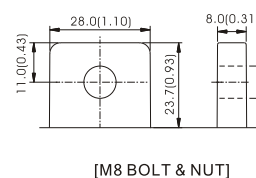
TERMINAL TYPE

- Length
522±2.0 (20.55±0.08)
- Width
240±2.0 (9.45±0.08)
- Container Height
216±2.0 (8.50±0.08)
- Total Height
219.5±2.0 (8.64±0.08)

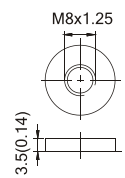


● Terminal B9

● Terminal I3



[M8 BOLT & NUT]



[M8 BOLT]

Terminal Hardware Initial Torque: B9,I3(10.0Nm±5%)

Constant power discharge characteristics at 25 °C/77 °F

Unit: W

F.V. (V/cell) \ Discharge Time	30 Min	1 Hr	3 Hr	5 Hr	10 Hr	20 Hr
1.80V	2237	1326	574.3	421.4	221.7	118.1
1.75V	2271	1363	583.4	427.7	226.6	118.5
1.70V	2289	1394	590.0	431.4	228.6	120.9
1.65V	2293	1409	596.3	433.1	229.3	121.0
1.60V	2297	1423	599.4	434.3	229.7	121.2

Constant current discharge characteristics at 25 °C/77 °F

Unit: A

F.V. (V/cell) \ Discharge Time	30 Min	1 Hr	3 Hr	5 Hr	10 Hr	20 Hr
1.80V	182.0	111.7	47.86	35.14	18.49	9.84
1.75V	184.6	115.1	48.60	35.69	18.89	9.85
1.70V	185.7	117.7	49.14	36.00	19.06	10.08
1.65V	189.4	119.1	49.69	36.17	19.10	10.10
1.60V	189.4	119.7	49.94	36.26	19.14	10.15

All data and artworks shall be changed without prior notice, BB reserves the right to explain and update the information contained hereinto.

For operation, please refer to the instruction from technical manual.

Trial A/4 REV. Jul. 2021

Powered by



B.B. Tech(Changsha) CO.,LTD