

ZELUS

GEL Technology Battery — SOLAR & PV

GBS 12/225

12V, 225Ah/C₁₀₀

FEATURES

- GBS delivers long cycle life and prolong life in elevated ambient temperatures.
- The generated heat can easy flow to the case walls because the whole volume of the cell is filled with gel.
- The immobilization of the electrolyte in the gel makes acid stratification impossible.
- Maintenance free(no water topping-up required).
- Low self-discharge rate, lower than 2% capacity loss per month.
- A small distribution of the special valve opening and closing pressure is important for a good (cycle) life time of the battery.

APPLICATION

- Solar power stations
- Telecommunications installations
- Traffic lights
- Street lightening
- Wind power

SPECIFICATIONS

Nominal Voltage	12 V
Nominal Capacity	225Ah @ 100 hour rate F.V.(1.80V/cell)
Approx. Weight	67.5Kg(148.8lbs.)
Terminals	B9 (Fitting M8 bolt & nut) I3 is optional
Internal Resistance	≤3.5m Ω (Fully Charged)
Max. Discharge Current	800 A (5 sec.)
Max. Charge Current	45.0 A
Operating Temperature Range	-20°C~55°C(-4°F~131°F)
Container Material	Standard: ABS(UL 94-HB) GBS 12/225 Optional: Flame Retardant ABS(UL 94-V0) GBS 12/225FR



WSE **ISO9001** **RA** **MH19884**

WSE **ISO14001** **CE** **C4M20310-2474-E-16**

WSE **OHSMS**

- IEC 61427-2005
- GB/T 22473-2008

DIMENSION(mm/inch)

OUTER DIMENSIONS

TERMINAL TYPE

Length

522±2.0 (20.55±0.08)

Width

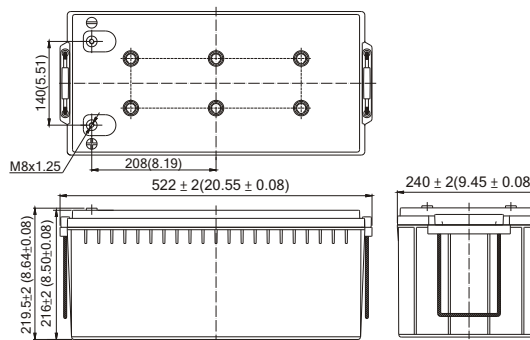
240±2.0 (9.45±0.08)

Container Height

216±2.0 (8.50±0.08)

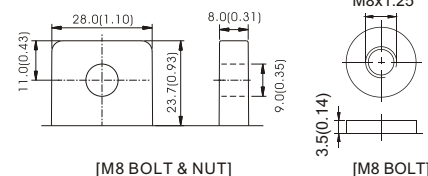
Total Height

219.5±2.0 (8.64±0.08)



● Terminal B9

● Terminal I3



Terminal Hardware Initial Torque: B9,I3(10.0Nm±5%)

Constant power discharge characteristics at 25 °C/77 °F

Unit: W

F.V. (V/cell) \ Discharge Time	1 Hr	3 Hr	5 Hr	10 Hr	20 Hr	100 Hr	120 Hr
1.85V	1380	600.0	438.0	231.0	123.6	26.82	22.50
1.80V	1419	613.5	450.0	237.6	124.1	27.00	22.56
1.75V	1455	621.0	453.0	240.9	127.1	27.18	22.68
1.70V	1485	627.0	455.7	242.1	127.2	27.30	22.77
1.65V	1494	630.0	456.6	243.0	127.3	27.40	23.00

Constant current discharge characteristics at 25 °C/77 °F

Unit: A

F.V. (V/cell) \ Discharge Time	1 Hr	3 Hr	5 Hr	10 Hr	20 Hr	100 Hr	120 Hr
1.85V	115.5	50.13	36.75	19.17	10.33	2.22	1.86
1.80V	117.6	50.25	36.93	19.38	10.47	2.25	1.88
1.75V	120.9	51.03	37.56	19.80	10.58	2.26	1.90
1.70V	123.9	51.60	37.77	20.04	10.60	2.27	1.91
1.65V	124.8	52.17	37.98	20.10	10.62	2.28	1.93

All data and artworks shall be changed without prior notice, BB reserves the right to explain and update the information contained hereinto.

For operation, please refer to the instruction from technical manual.

Trial A/1 REV. Mar. 2014

Powered by  B.B. Battery Co., Ltd.