

# VRLA Rechargeable Battery

# SH4.5-12



## FEATURES

- Maintenance free(no water topping-up required)
- No free acid(Non-spillable battery)
- Low self-discharge rate, lower than 3% capacity loss per month
- Can be used in any orientation(excluding used inverted)
- The battery is designed for high rate usage


## APPLICATIONS

- UPS
- Toy-Cars
- Fans
- Electronic Doorbells




## SPECIFICATIONS

Nominal Voltage	12 V
Nominal Capacity	4.28Ah @ 10 hour rate F.V.(1.75V/cell)
Approx. Weight	1590g(3.51lbs.)
Terminals	T1 (Faston Tab 187) T2 is optional
Internal Resistance	≤42mΩ (Fully Charged )
Max. Discharge Current	67.5 A (5 sec.)
Max. Charge Current	1.35 A
Operating Temperature Range	Charge 0°C~40°C(32°F~104°F) Discharge -20°C~50°C(-4°F~122°F) Storage. -20°C~40°C(-4°F~104°F)
Container Material	Standard: ABS( UL94 HB) SH4.5-12 Optional: Flame Retardant ABS(UL94 V-0) SH4.5-12FR

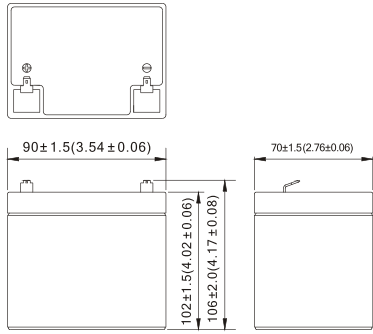
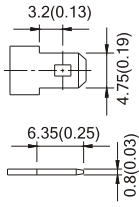
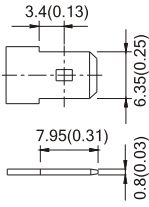


MH19884



C4M20310-2474-E-16

- IEC61056-1
- JIS C 8702-1
- GB/T 19639.1

DIMENSION(mm/inch)	OUTER DIMENSIONS	TERMINAL TYPE	
<b>Length</b> 90±1.5 (3.54±0.06)		<b>Terminal T1</b> 	
<b>Width</b> 70±1.5 (2.76±0.06)			<b>Terminal T2</b> 
<b>Container Height</b> 102±1.5 (4.02±0.06)			
<b>Total Height</b> 106±2.0 (4.17±0.08)			

Constant power discharge characteristics at 25 °C/77 °F										Unit: W
F.V. (V/cell)	Discharge Time	5 Min	10 Min	15 Min	30 Min	1 Hr	3 Hr	5 Hr	10 Hr	20 Hr
1.80V		182.6	122.7	92.0	54.4	29.75	13.26	8.96	4.99	2.66
1.70V		194.2	130.6	98.3	56.8	30.49	13.45	9.18	5.14	2.70
1.60V		208.4	134.9	101.7	57.2	31.45	13.50	9.23	5.15	2.71
1.50V		217.2	138.5	104.8	58.4	32.13	13.62	9.26	5.16	2.72
1.40V		223.9	140.3	107.5	59.2	32.37	13.67	9.29	5.17	2.73
1.30V		224.1	141.2	108.0	59.5	32.52	13.68	9.30	5.17	2.73

Constant current discharge characteristics at 25 °C/77 °F										Unit: A
F.V. (V/cell)	Discharge Time	5 Min	10 Min	15 Min	30 Min	1 Hr	3 Hr	5 Hr	10 Hr	20 Hr
1.80V		16.45	10.80	8.00	4.61	2.50	1.105	0.747	0.416	0.222
1.70V		17.81	11.50	8.55	4.81	2.56	1.121	0.765	0.428	0.225
1.60V		19.12	11.88	8.84	4.85	2.64	1.125	0.769	0.429	0.226
1.50V		19.93	12.19	9.11	4.95	2.70	1.135	0.772	0.430	0.227
1.40V		20.54	12.42	9.35	5.02	2.72	1.139	0.774	0.431	0.228
1.30V		20.56	12.43	9.39	5.04	2.73	1.140	0.775	0.431	0.228

All data and artworks shall be changed without prior notice, BB reserves the right to explain and update the information contained hereinto.