



## VRLA Rechargeable Battery

# SH7-12

### FEATURES

- Maintenance free(no water topping-up required)
- No free acid(Non-spillable battery)
- Low self-discharge rate, lower than 3% capacity loss per month
- Can be used in any orientation(excluding used inverted)
- The battery is designed for high rate usage






### APPLICATION

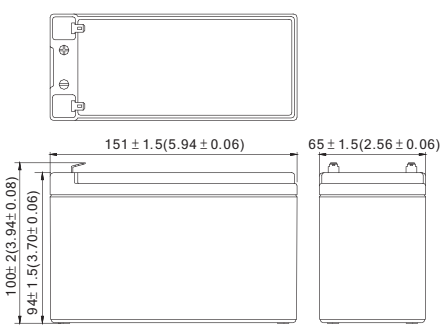
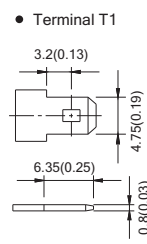
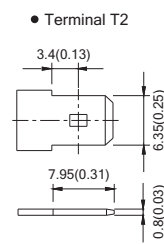
- UPS
- Toy-Cars
- Power Packs
- Fishing Lights
- Laboratory Equipment



### SPECIFICATIONS

Nominal Voltage	12 V
Nominal Capacity	6.30Ah @ 20 hour rate F.V.(1.75V/cell)
Approx. Weight	2220g(4.89lbs.)
Terminals	T2 (Faston Tab 250) T1 is optional
Internal Resistance	≤22mΩ (Fully Charged )
Max. Discharge Current	99 A (5 sec.)
Max. Charge Current	2.1 A
Operating Temperature Range	Charge : 0°C~40°C(32°F~104°F) Discharge : -20°C~50°C(-4°F~122°F) Storage : -20°C~40°C(-4°F~104°F)
Container Material	Standard: ABS( UL 94-HB) SH7-12 Optional: Flame Retardant ABS(UL 94-V0) SH7-12FR


 MH19884  

  
  
 ● IEC61056-1  
 ● JIS C 8702-1  
 ● GB/T 19639.1

DIMENSION(mm/inch)	OUTER DIMENSIONS	TERMINAL TYPE
<ul style="list-style-type: none"> <li>■ Length 151±1.5 (5.94±0.06)</li> <li>■ Width 65±1.5 (2.56±0.06)</li> <li>■ Container Height 94±1.5 (3.70±0.06)</li> <li>■ Total Height 100±2.0 (3.94±0.08)</li> </ul>		<ul style="list-style-type: none"> <li>● Terminal T1   </li> <li>● Terminal T2   </li> </ul>

### Constant power discharge characteristics at 25 °C/77 °F Unit: W

F.V. (V/cell) \ Discharge Time	5 Min	10 Min	15 Min	30 Min	1 Hr	3 Hr	5 Hr	10 Hr	20 Hr
1.80V	274.5	196.5	150.0	87.4	49.8	18.8	12.8	7.08	3.72
1.70V	301.0	206.0	152.5	88.8	50.3	19.0	13.0	7.24	3.80
1.60V	316.5	210.5	157.1	89.8	50.7	19.2	13.1	7.34	3.85
1.50V	324.0	212.0	160.0	90.3	51.2	19.3	13.1	7.40	3.88
1.40V	337.0	213.0	163.2	90.7	51.5	19.4	13.2	7.42	3.89
1.30V	341.0	215.0	168.0	90.8	51.7	19.5	13.2	7.43	3.89

### Constant current discharge characteristics at 25 °C/77 °F Unit: A

F.V. (V/cell) \ Discharge Time	5 Min	10 Min	15 Min	30 Min	1 Hr	3 Hr	5 Hr	10 Hr	20 Hr
1.80V	24.73	17.30	13.04	7.41	4.18	1.57	1.07	0.589	0.309
1.70V	27.70	18.13	13.53	7.53	4.23	1.58	1.08	0.600	0.315
1.60V	29.50	18.53	13.82	7.61	4.26	1.60	1.09	0.610	0.320
1.50V	30.60	18.66	14.05	7.65	4.30	1.61	1.09	0.615	0.322
1.40V	30.92	18.75	14.22	7.69	4.33	1.62	1.10	0.618	0.323
1.30V	31.28	18.93	14.28	7.69	4.34	1.63	1.10	0.619	0.323

All data and artworks shall be changed without prior notice, BB reserves the right to explain and update the information contained hereinto.