



VRLA Rechargeable Battery

BC100-12



FEATURES

- Maintenance free(no water topping-up required)
- No free acid(Non-spillable battery)
- Can be used in any orientation(excluding used inverted)
- Flame-arrestor is installed to ensure safety
- Carry handles for easy installation
- Absorbent Glass Mat technology for efficient gas recombination


APPLICATION

- UPS
- Telecom




SPECIFICATIONS

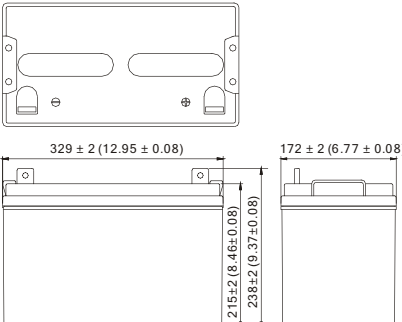
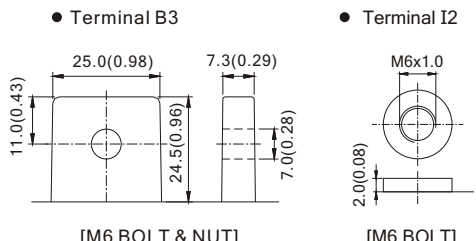
Nominal Voltage	12V
Nominal Capacity	100.0 Ah @ 20 hour rate F.V.(1.75V/cell)
Approx. Weight	28.5Kg(62.8lbs.)
Terminals	B3 (Fitting M6 bolt & nut) , I2 is optional
Internal Resistance	≤ 6mΩ (Fully Charged)
Max. Discharge Current	800 A (5 sec.)
Max. Charge Current	25 A
Operating Temperature Range	Charge: 0°C~40°C(32°F~104°F) Discharge: -20°C~50°C(-4°F~122°F) Storage: -20°C~40°C(-4°F~104°F)
Container Material	Standard: ABS(UL94 HB) BC100-12 Optional: Flame Retardant ABS(UL94 V-0) BC100-12FR



MH19884



- IEC 60896-21/22
- JIS C 8704-2
- GB/T 19638.2

DIMENSION(mm/inch)	OUTER DIMENSIONS	TERMINAL TYPE
<ul style="list-style-type: none"> ■ Length 329±2.0 (12.95±0.08) ■ Width 172±2.0 (6.77±0.08) ■ Container Height 215±2.0 (8.46±0.08) ■ Total Height B3:238±2.0 (9.37±0.08) I2:218.5±2.0 (8.60±0.08) 		<ul style="list-style-type: none"> ● Terminal B3 ● Terminal I2  <p>[M6 BOLT & NUT] [M6 BOLT]</p> <p>Terminal Hardware Initial Torque: B3,I2(5.5Nm±5%)</p>

Constant power discharge characteristics at 25 °C/77 °F								Unit: W
Discharge F.V.	Discharge Time	15 Min	30 Min	1 Hr	3 Hr	5 Hr	10 Hr	20 Hr
10.8V		1673.1	1133.4	713.2	291.5	201.0	112.3	59.1
10.5V		1749.6	1177.1	734.6	297.3	204.0	114.0	60.0
10.2V		1802.7	1203.7	747.8	300.0	205.1	114.6	60.3
9.9V		1845.0	1220.8	756.9	302.1	205.8	114.9	60.5
9.6V		1881.0	1233.1	764.4	303.9	206.4	114.9	60.5

Constant current discharge characteristics at 25 °C/77 °F								Unit: A
Discharge F.V.	Discharge Time	15 Min	30 Min	1 Hr	3 Hr	5 Hr	10 Hr	20 Hr
10.8V		149.5	97.0	59.9	24.3	16.8	9.4	4.9
10.5V		156.3	100.7	61.7	24.8	17.0	9.5	5.0
10.2V		161.2	103.1	62.9	25.0	17.1	9.6	5.0
9.9V		164.9	104.5	63.6	25.2	17.2	9.6	5.0
9.6V		168.2	105.5	64.2	25.3	17.2	9.6	5.0

All data and artworks shall be changed without prior notice, BB reserves the right to explain and update the information contained hereinto.

For operation, please refer to the instruction from technical manual.

B/4 REV. Apr. 2019

Powered by **B.B. Tech(Changsha)Co., Ltd.**