



# VRLA Rechargeable Battery

# BC160-12



## FEATURES

- Maintenance free(no water topping-up required)
- No free acid(Non-spillable battery)
- Can be used in any orientation(excluding used inverted)
- Flame-arrestor is installed to ensure safety
- Carry handles for easy installation
- Absorbent Glass Mat technology for efficient gas recombination


## APPLICATION

- UPS
- Telecom




## SPECIFICATIONS

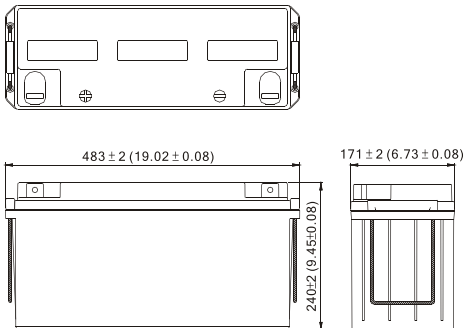
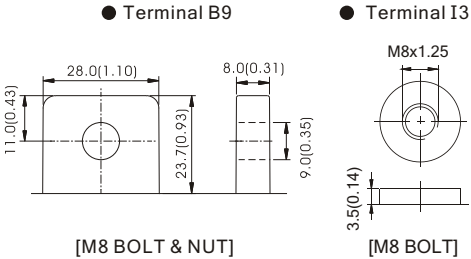
Nominal Voltage	12V
Nominal Capacity	160.0 Ah @ 20 hour rate F.V.(1.75V/cell)
Approx. Weight	45Kg(99.21lbs.)
Terminals	B9 (Fitting M8 bolt & nut) , I3 is optional
Internal Resistance	≤ 4mΩ (Fully Charged )
Max. Discharge Current	800 A (5 sec.)
Max. Charge Current	48 A
Operating Temperature Range	Charge : 0°C~40°C(32°F~104°F) Discharge : -20°C~50°C(-4°F~122°F) Storage. : -20°C~40°C(-4°F~104°F)
Container Material	Standard: ABS( UL94 HB) BC160-12 Optional: Flame Retardant ABS(UL94 V-0) BC160-12FR



MH19884

- IEC 60896-21/22
- JIS C 8704-2
- GB/T 19638.2

DIMENSION(mm/inch)	OUTER DIMENSIONS	TERMINAL TYPE
<ul style="list-style-type: none"> <li>■ Length 483±2.0 (19.02±0.08)</li> <li>■ Width 171±2.0 (6.73±0.08)</li> <li>■ Container Height 240±2.0 (9.45±0.08)</li> <li>■ Total Height 240±2.0 (9.45±0.08)</li> </ul>		<ul style="list-style-type: none"> <li>● Terminal B9</li> <li>● Terminal I3</li> </ul>  <p>[M8 BOLT &amp; NUT]      [M8 BOLT]</p> <p>Terminal Hardware Initial Torque: B9,I3(10.0Nm±5%)</p>

Constant power discharge characteristics at 25 °C/77 °F								Unit: W
Discharge Time F.V.	15 Min	30 Min	1 Hr	3 Hr	5 Hr	10 Hr	20 Hr	
10.8V	2677.0	1813.4	1141.1	466.4	321.6	179.7	94.6	
10.5V	2799.4	1883.4	1175.4	475.7	326.4	182.4	96.0	
10.2V	2884.3	1925.9	1196.5	480.0	328.2	183.4	96.5	
9.9V	2952.0	1953.3	1211.0	483.4	329.3	183.8	96.8	
9.6V	3009.6	1973.0	1223.0	486.2	330.2	183.8	96.8	

Constant current discharge characteristics at 25 °C/77 °F								Unit: A
Discharge Time F.V.	15 Min	30 Min	1 Hr	3 Hr	5 Hr	10 Hr	20 Hr	
10.8V	239.2	155.2	95.8	38.9	26.9	15.0	7.8	
10.5V	250.1	161.1	98.7	39.7	27.2	15.2	8.0	
10.2V	257.9	165.0	100.6	40.0	27.4	15.4	8.0	
9.9V	263.8	167.2	101.8	40.3	27.5	15.4	8.0	
9.6V	269.1	168.8	102.7	40.5	27.5	15.4	8.0	

All data and artworks shall be changed without prior notice, BB reserves the right to explain and update the information contained hereinto.

For operation, please refer to the instruction from technical manual.

A/4 REV. Apr. 2019

Powered by **B.B. Tech(Changsha)Co., Ltd.**