



VRLA Rechargeable Battery

BC230-12



FEATURES

- Maintenance free(no water topping-up required)
- No free acid(Non-spillable battery)
- Can be used in any orientation(excluding used inverted)
- Flame-arrestor is installed to ensure safety
- Carry handles for easy installation
- Absorbent Glass Mat technology for efficient gas recombination


APPLICATIONS

- UPS
- Telecom




SPECIFICATIONS

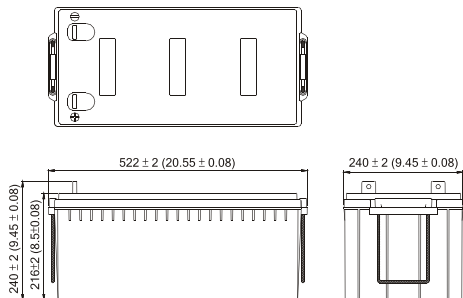
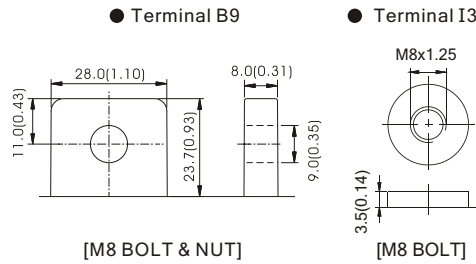
Nominal Voltage	12V
Nominal Capacity	230.0 Ah @ 20 hour rate F.V.(1.75V/cell)
Approx. Weight	62.4Kg(137.6lbs.)
Terminals	B9 (Fitting M8 bolt & nut) , I3 is optional
Internal Resistance	≤ 3.0mΩ (Fully Charged)
Max. Discharge Current	800 A (5 sec.)
Max. Charge Current	69 A
Operating Temperature Range	Charge : 0°C~40°C(32°F~104°F) Discharge : -20°C~50°C(-4°F~122°F) Storage. : -20°C~40°C(-4°F~104°F)
Container Material	Standard: ABS(UL94 HB) BC230-12 Optional: Flame Retardant ABS(UL94 V-0) BC230-12FR



MH19884



- IEC 60896-21/22
- JIS C 8704-2
- GB/T 19638.2

DIMENSION(mm/inch)	OUTER DIMENSIONS	TERMINAL TYPE
<ul style="list-style-type: none"> ■ Length 522±2.0 (20.55±0.08) ■ Width 240±2.0 (9.45±0.08) ■ Container Height 216±2.0 (8.50±0.08) ■ Total Height B9:240±2.0 (9.45±0.08) I3:220±2.0 (8.66±0.08) 		<ul style="list-style-type: none"> ● Terminal B9 ● Terminal I3  <p>[M8 BOLT & NUT] [M8 BOLT]</p> <p>Terminal Hardware Initial Torque: B9,I3(10.0Nm±5%)</p>

Constant power discharge characteristics at 25 °C/77 °F						Unit: W	
Discharge Time F.V.	15 Min	30 Min	1 Hr	3 Hr	5 Hr	10 Hr	20 Hr
10.8V	3848.1	2606.8	1640.4	670.5	462.3	258.3	135.9
10.5V	4024.1	2707.3	1689.6	683.8	469.2	262.2	138.0
10.2V	4146.2	2768.5	1719.9	690.0	471.7	263.6	138.7
9.9V	4243.5	2807.8	1740.9	694.8	473.3	264.3	139.2
9.6V	4326.3	2836.1	1758.1	699.0	474.7	264.3	139.2

Constant current discharge characteristics at 25 °C/77 °F						Unit: A	
Discharge Time F.V.	15 Min	30 Min	1 Hr	3 Hr	5 Hr	10 Hr	20 Hr
10.8V	343.9	223.1	137.8	55.9	38.6	21.6	11.3
10.5V	359.5	231.6	141.9	57.0	39.1	21.9	11.5
10.2V	370.8	237.1	144.7	57.5	39.3	22.1	11.6
9.9V	379.3	240.4	146.3	58.0	39.6	22.1	11.6
9.6V	386.9	242.7	147.7	58.2	39.6	22.1	11.6

All data and artworks shall be changed without prior notice, BB reserves the right to explain and update the information contained hereinto.