



VRLA Rechargeable Battery

BC42-12



FEATURES

- Maintenance free(no water topping-up required)
- No free acid(Non-spillable battery)
- Can be used in any orientation(excluding used inverted)
- Absorbent Glass Mat technology for efficient gas recombination


APPLICATION

- UPS
- Electronic Medical Equipment




SPECIFICATIONS

Nominal Voltage	12 V
Nominal Capacity	42Ah @ 20 hour rate F.V.(1.75V/cell)
Approx. Weight	12.2Kg(26.9lbs.)
Terminals	B2 (Fitting M5 bolt & nut) , I1 and I2 are optional
Internal Resistance	≤ 12mΩ (Fully Charged)
Max. Discharge Current	600 A (5 sec.)
Max. Charge Current	12 A
Operating Temperature Range	Charge : 0°C~40°C(32°F~104°F) Discharge : -20°C~50°C(-4°F~122°F) Storage : -20°C~40°C(-4°F~104°F)
Container Material	Standard: ABS(UL94 HB) BC42-12 Optional: Flame Retardant ABS(UL94 V-0) BC42-12FR

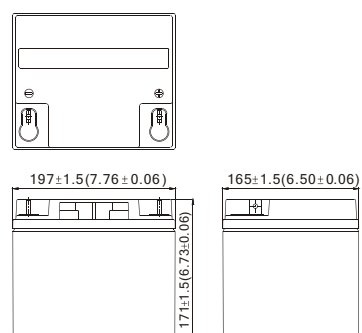
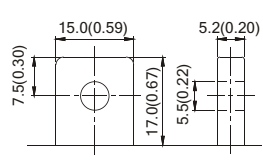
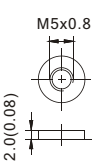
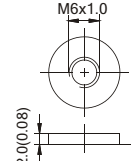


MH19884



C4M20310-2474-E-16

- IEC 61056-1
- JIS C 8702-1
- GB/T 19639.1

DIMENSION(mm/inch)	OUTER DIMENSIONS	TERMINAL TYPE
<p>■ Length</p> <p>197±1.5 (7.76±0.06)</p> <p>■ Width</p> <p>165±1.5 (6.50±0.06)</p> <p>■ Container Height</p> <p>171±1.5 (6.73±0.06)</p> <p>■ Total Height</p> <p>171±1.5 (6.73±0.06)</p>		<div style="display: flex; justify-content: space-around;"> <div style="text-align: center;"> <p>● Terminal B2</p>  <p>[M5 BOLT & NUT]</p> </div> <div style="text-align: center;"> <p>● Terminal I1</p>  <p>[M5 BOLT]</p> </div> <div style="text-align: center;"> <p>● Terminal I2</p>  <p>[M6 BOLT]</p> </div> </div> <p style="text-align: center; font-size: small;">Terminal Hardware Initial Torque: B2,I1(4.0Nm±5%),I2(5.5Nm±5%)</p>

Constant power discharge characteristics at 25 °C/77 °F						Unit: W			
Discharge Time F.V. (V/cell)	5 Min	10 Min	15 Min	30 Min	1 Hr	3 Hr	5 Hr	10 Hr	20 Hr
1.80V	1055.6	860.7	702.7	476.0	299.6	122.4	84.4	47.2	24.8
1.75V	1185.7	932.2	734.8	494.4	308.6	124.9	85.7	47.9	25.2
1.70V	1297.9	964.3	757.1	505.6	314.1	126.0	86.1	48.1	25.3
1.65V	1356.4	988.9	774.9	512.7	317.8	126.8	86.4	48.3	25.4
1.60V	1401.3	1008.9	790.0	517.9	321.1	127.7	86.7	48.3	25.4

Constant current discharge characteristics at 25 °C/77 °F						Unit: A			
Discharge Time F.V. (V/cell)	5 Min	10 Min	15 Min	30 Min	1 Hr	3 Hr	5 Hr	10 Hr	20 Hr
1.80V	96.1	77.6	62.8	40.7	25.2	10.2	7.0	3.9	2.0
1.75V	109.9	84.1	65.7	42.3	25.9	10.4	7.1	4.0	2.1
1.70V	120.3	87.1	67.7	43.3	26.4	10.5	7.2	4.0	2.1
1.65V	128.1	90.9	69.3	43.9	26.7	10.6	7.2	4.0	2.1
1.60V	134.9	94.4	70.6	44.3	27.0	10.6	7.2	4.0	2.1

All data and artworks shall be changed without prior notice, BB reserves the right to explain and update the information contained hereinto.

For operation, please refer to the instruction from technical manual.

B/2 REV. Apr. 2019

Powered by **B.B. Tech(Changsha)Co., Ltd.**