



VRLA Rechargeable Battery

BP100-12



FEATURES

- Maintenance Free (topping up not needed)
- Non-spillable (no free electrolyte)
- Low Self Discharge, less than 3% per month
- both Vertical & Horizontal installations
- integrated Flame Arrestor at each cell
- Carry Handles for easy installation


APPLICATIONS

- UPS
- Telecom Systems
- Switch Boards
- Elevated Platforms
- Photovoltaic Systems
- Emergency Lighting
- Golf Carts




SPECIFICATIONS

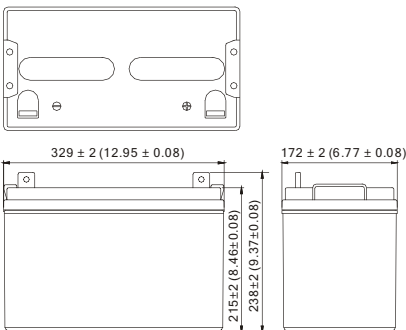
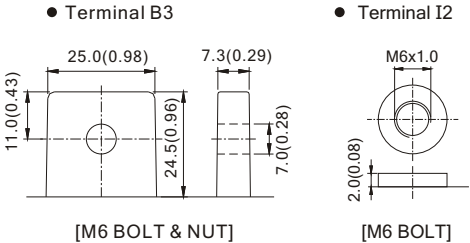
Nominal Voltage	12 V
Nominal Capacity	100Ah @ 20 hour rate F.V.(1.75V/cell)
Approx. Weight	32.7Kg(72.1lbs.)
Terminals	B3 (Fitting M6 bolt & nut) I2 is optional
Internal Resistance	≤4.5mΩ (Fully Charged)
Max. Discharge Current	800 A (5 sec.)
Max. Charge Current	30 A
Operating Temperature Range	Charge : 0°C~40°C(32°F~104°F) Discharge : -20°C~50°C(-4°F~122°F) Storage : -20°C~40°C(-4°F~104°F)
Container Material	Standard: ABS (UL94 HB) BP100-12 Optional: Flame Retardant ABS(UL94 V-0) BP100-12FR



MH19884



- IEC 60896-21/22
- JIS C 8704-2
- GB/T 19638.2

DIMENSION(mm/inch)	OUTER DIMENSIONS	TERMINAL TYPE
<ul style="list-style-type: none"> ■ Length 329±2.0 (12.95±0.08) ■ Width 172±2.0 (6.77±0.08) ■ Container Height 215±2.0 (8.46±0.08) ■ Total Height B3: 238±2.0 (9.37±0.08) I2: 218.5±2.0 (8.60±0.08) 		<ul style="list-style-type: none"> ● Terminal B3 ● Terminal I2  <p>[M6 BOLT & NUT] [M6 BOLT]</p> <p>Terminal Hardware Initial Torque: B3,I2(5.5Nm 5%)</p>

Constant power discharge characteristics at 25 °C/77 °F Unit: W

Discharge Time F.V.	15 Min	30 Min	1 Hr	3 Hr	5 Hr	10 Hr	20 Hr
10.8V	2065	1256	727.8	291.5	201.0	112.31	59.10
10.5V	2160	1304	749.6	297.3	204.0	114.00	60.00
10.2V	2226	1334	763.1	300.0	205.1	114.57	60.31
9.9V	2278	1353	772.3	302.1	205.8	114.91	60.48
9.6V	2323	1366	780.0	303.9	206.4	114.91	60.48

Constant current discharge characteristics at 25 °C/77 °F Unit: A

Discharge Time F.V.	15 Min	30 Min	1 Hr	3 Hr	5 Hr	10 Hr	20 Hr
10.8V	184.6	107.5	61.16	24.29	16.75	9.36	4.93
10.5V	193.0	111.6	62.99	24.78	17.00	9.50	5.00
10.2V	199.0	114.2	64.13	25.00	17.09	9.55	5.03
9.9V	203.6	115.8	64.90	25.17	17.15	9.58	5.04
9.6V	207.7	116.9	65.55	25.33	17.20	9.58	5.04

All data and artworks shall be changed without prior notice, BB reserves the right to explain and update the information contained hereinto.

For operation, please refer to the instruction from technical manual.

B/2 REV. Apr. 2019

Powered by **B.B. Tech(Changsha)Co., Ltd.**