

VRLA Rechargeable Battery

BP12-12

FEATURES

- Maintenance Free (topping up not needed)
- Non - spillable (no free electrolyte)
- Low Self Discharge, less than 3% per month
- both Vertical & Horizontal installations
- Its design life is up to 8 years in floating application

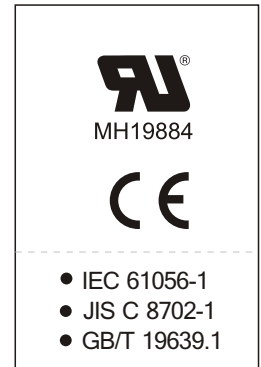
APPLICATIONS

- UPS
- Power Packs
- Laboratory Equipment
- Security Systems
- Emergency Lighting
- Medical Equipment
- R/C Cars & Planes



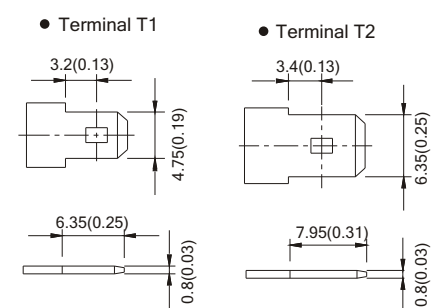
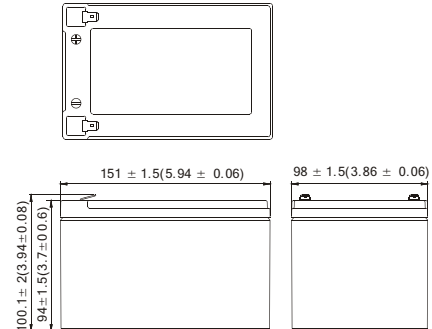
SPECIFICATIONS

Nominal Voltage	12V
Nominal Capacity	12.0 Ah@20 Hour Rate (600mA, 10.5V)
Approx. Weight	3940g(8.691lbs.)
Terminals	T2 (Faston Tab 250) T1 is optional
Max. Discharge Current	180 A (5 sec.)
Max. Charge Current	3.60 A
Operating Temperature Range	Charge 0°C~40°C(32°F~104°F)
	Discharge -20°C~50°C(-4°F~122°F)
	Storage -20°C~40°C(-4°F~104°F)
Internal Resistance	≤18mΩ (Fully Charged)
Container Material	Standard: ABS(UL 94-HB) BP12-12 Optional: Flame Retardant ABS (UL 94-V0) BP12-12FR



DIMENSION(mm/inch) OUTER DIMENSIONS TERMINAL TYPE

- Length 151±1.5(5.94±0.06)
- Width 98±1.5(3.86±0.06)
- Container Height 94±1.5(3.70±0.06)
- Total Height 100.1±2.0(3.94±0.08)



Constant power discharge characteristics at 25 °C/77 °F Unit: W

Discharge Time F.V.	5 Min	10 Min	15 Min	30 Min	1 Hr	3 Hr	5 Hr	10 Hr	20 Hr
10.8V	433.9	319.4	256.0	152.3	87.3	35.0	24.1	13.48	7.09
10.5V	502.2	346.0	267.7	158.1	90.0	35.7	24.5	13.68	7.20
10.2V	533.6	358.5	276.0	161.7	91.6	36.0	24.6	13.75	7.24
9.9V	557.5	367.1	282.4	164.0	92.7	36.3	24.7	13.79	7.26
9.6V	576.0	374.4	288.0	165.6	93.6	36.5	24.8	13.79	7.26

Constant current discharge characteristics at 25 °C/77 °F Unit: A

Discharge Time F.V.	5 Min	10 Min	15 Min	30 Min	1 Hr	3 Hr	5 Hr	10 Hr	20 Hr
10.8V	39.09	28.12	22.26	12.91	7.34	2.91	2.01	1.123	0.591
10.5V	46.07	30.46	23.28	13.40	7.56	2.97	2.04	1.140	0.600
10.2V	48.95	31.55	24.00	13.70	7.70	3.00	2.05	1.146	0.603
9.9V	51.15	32.31	24.55	13.89	7.79	3.02	2.06	1.149	0.605
9.6V	52.84	32.96	25.04	14.03	7.87	3.04	2.06	1.149	0.605

All data and artworks shall be changed without prior notice, BB reserves the right to explain and update the information contained hereinto.
B/3 REV. Jun. 2019