



VRLA Rechargeable Battery

BP40-12



FEATURES


- Maintenance Free (topping up not needed)
- Non-spillable (no free electrolyte)
- Low Self Discharge, less than 3% per month
- both Vertical & Horizontal installations

APPLICATION


- UPS
- Wheelchairs
- Lawn Mowers
- Golf-Carts
- Electronic Medical Equipment

SPECIFICATIONS

Nominal Voltage	12 V
Nominal Capacity	40Ah @ 20 hour rate F.V.(1.75V/cell)
Approx. Weight	14300g(31.53lbs.)
Terminals	B2 (Fitting M5 bolt & nut), I1 and I2 are optional
Internal Resistance	≤8mΩ (Fully Charged)
Max. Discharge Current	600 A (5 sec.)
Max. Charge Current	12 A
Operating Temperature Range	Charge: 0°C~40°C(32°F~104°F) Discharge: -20°C~50°C(-4°F~122°F) Storage: -20°C~40°C(-4°F~104°F)
Container Material	Standard: ABS (UL94 HB) BP40-12 Optional: Flame Retardant ABS(UL94 V-0) BP40-12FR

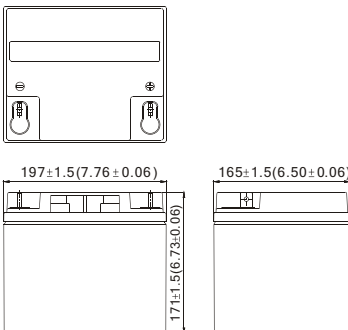
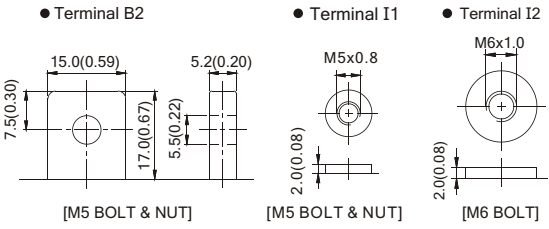
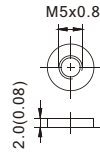
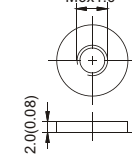


MH19884



C4M20310-2474-E-16

- IEC 61056-1
- JIS C 8702-1
- GB/T 19639.1
- VdS G102110

DIMENSION(mm/inch)	OUTER DIMENSIONS	TERMINAL TYPE
<p>■ Length 197±1.5 (7.76±0.06)</p> <p>■ Width 165±1.5 (6.50±0.06)</p> <p>■ Container Height 171±1.5 (6.73±0.06)</p> <p>■ Total Height 171±1.5 (6.73±0.06)</p>		<div style="display: flex; justify-content: space-around;"> <div style="text-align: center;"> <p>● Terminal B2</p>  <p>[M5 BOLT & NUT]</p> </div> <div style="text-align: center;"> <p>● Terminal I1</p>  <p>[M5 BOLT & NUT]</p> </div> <div style="text-align: center;"> <p>● Terminal I2</p>  <p>[M6 BOLT]</p> </div> </div> <p>Terminal Hardware Initial Torque: B2,I1(4.0Nm±5%),I2(5.5Nm±5%)</p>

Constant power discharge characteristics at 25 °C/77 °F Unit: W

F.V. (V/cell) \ Discharge Time	5 Min	10 Min	15 Min	30 Min	1 Hr	3 Hr	5 Hr	10 Hr	20 Hr
1.80V	1280	1007	811	508	291.1	116.6	80.4	44.93	23.64
1.75V	1482	1091	848	527	299.9	118.9	81.6	45.60	24.00
1.70V	1575	1130	874	539	305.2	120.0	82.0	45.83	24.12
1.65V	1645	1157	894	547	308.9	120.8	82.3	45.96	24.19
1.60V	1700	1180	912	552	312.0	121.6	82.6	45.96	24.19

Constant current discharge characteristics at 25 °C/77 °F Unit: A

F.V. (V/cell) \ Discharge Time	5 Min	10 Min	15 Min	30 Min	1 Hr	3 Hr	5 Hr	10 Hr	20 Hr
1.80V	115	88.6	70.5	43.0	24.46	9.72	6.70	3.74	1.97
1.75V	136	96.0	73.7	44.7	25.20	9.91	6.80	3.80	2.00
1.70V	144	99.5	76.0	45.7	25.65	10.00	6.84	3.82	2.01
1.65V	151	101.8	77.7	46.3	25.96	10.07	6.86	3.83	2.02
1.60V	156	103.9	79.3	46.8	26.22	10.13	6.88	3.83	2.02

All data and artworks shall be changed without prior notice, BB reserves the right to explain and update the information contained hereinto.