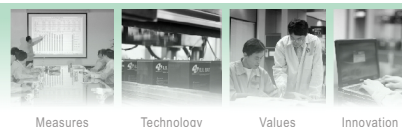


VRLA Rechargeable Battery

BP5-12



FEATURES

- Maintenance Free (topping up not needed)
- Non-spillable (no free electrolyte)
- Low Self Discharge, less than 3% per month
- both Vertical & Horizontal installations


APPLICATION

- UPS
- Electronic Doorbells
- Toy-Cars
- Fans




SPECIFICATIONS

Nominal Voltage	12 V
Nominal Capacity	5.0Ah @ 20 hour rate F.V.(1.75V/cell)
Approx. Weight	1800g(3.97lbs.)
Terminals	T1 (Faston Tab 187) T2 is optional
Internal Resistance	≤27m Ω (Fully Charged)
Max. Discharge Current	75 A (5 sec.)
Max. Charge Current	1.5 A
Operating Temperature Range	Charge: 0°C~40°C(32°F~104°F) Discharge: -20°C~50°C(-4°F~122°F) Storage: -20°C~40°C(-4°F~104°F)
Container Material	Standard: ABS(UL94 HB) BP5-12 Optional: Flame Retardant ABS(UL94 V-0) BP5-12FR

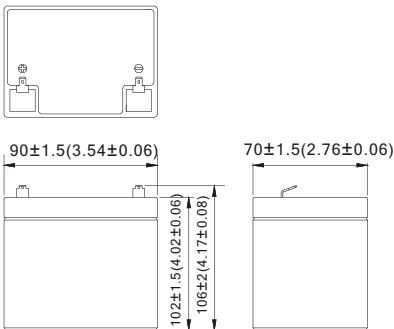
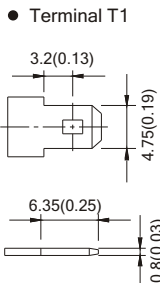
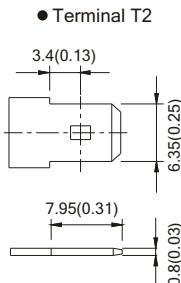


MH19884



C4M20310-2474-E-16

- IEC 61056-1
- JIS C 8702-1
- GB/T 19639.1

DIMENSION(mm/inch)	OUTER DIMENSIONS	TERMINAL TYPE
Length 90±1.5 (3.54±0.06)		Terminal T1 
Width 70±1.5 (2.76±0.06)		Terminal T2 
Container Height 102±1.5 (4.02±0.06)		
Total Height 106±2.0 (4.17±0.08)		

Constant power discharge characteristics at 25 °C/77 °F									
Unit: W									
F.V. (V/cell) \ Discharge Time	5 Min	10 Min	15 Min	30 Min	1 Hr	3 Hr	5 Hr	10 Hr	20 Hr
1.80V	180.8	133.1	106.6	63.5	36.39	14.57	10.05	5.62	2.96
1.75V	209.2	144.2	111.5	65.9	37.48	14.87	10.20	5.70	3.00
1.70V	222.3	149.4	115.0	67.4	38.16	15.00	10.26	5.73	3.01
1.65V	232.3	152.9	117.6	68.3	38.61	15.10	10.29	5.75	3.02
1.60V	240.0	156.0	120.0	69.0	39.00	15.20	10.32	5.75	3.02

Constant current discharge characteristics at 25 °C/77 °F									
Unit: A									
F.V. (V/cell) \ Discharge Time	5 Min	10 Min	15 Min	30 Min	1 Hr	3 Hr	5 Hr	10 Hr	20 Hr
1.80V	16.3	11.71	9.27	5.38	3.06	1.21	0.837	0.468	0.246
1.75V	19.2	12.69	9.70	5.58	3.15	1.24	0.850	0.475	0.250
1.70V	20.4	13.15	10.00	5.71	3.21	1.25	0.855	0.477	0.251
1.65V	21.3	13.46	10.23	5.79	3.24	1.26	0.858	0.479	0.252
1.60V	22.0	13.73	10.43	5.85	3.28	1.27	0.860	0.479	0.252

All data and artworks shall be changed without prior notice, BB reserves the right to explain and update the information contained hereinto.