



VRLA Rechargeable Battery

BP90-12



FEATURES

- Maintenance free(no water topping-up required)
- No free acid(Non-spillable battery)
- Can be used in any orientation(excluding used inverted)
- Flame-arrestor is installed to ensure safety
- Carry handles for easy installation
- Absorbent Glass Mat technology for efficient gas recombination


APPLICATIONS

- UPS
- Telecom
- Golf-Carts




SPECIFICATIONS

Nominal Voltage	12 V
Nominal Capacity	90Ah @ 20 hour rate F.V.(1.75V/cell)
Approx. Weight	30.8Kg(67.90lbs.)
Terminals	B3 (Fitting M6 bolt & nut) I2 is optional
Internal Resistance	≤5mΩ (Fully Charged)
Max. Discharge Current	800 A (5 sec.)
Max. Charge Current	27 A
Operating Temperature Range	Charge: 0°C~40°C(32°F~104°F) Discharge: -20°C~50°C(-4°F~122°F) Storage: -20°C~40°C(-4°F~104°F)
Container Material	Standard: ABS (UL94 HB) BP90-12 Optional: Flame Retardant ABS(UL94 V-0) BP90-12FR

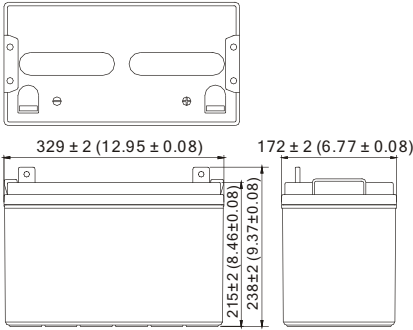
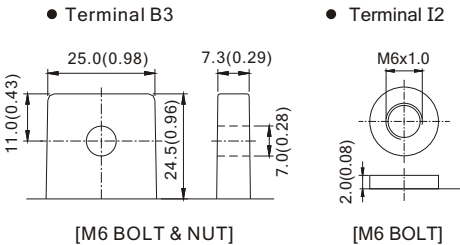


MH19884



C4M20310-2474-E-16

- IEC 60896-21/22
- JIS C 8704-2
- GB/T 19638.2

DIMENSION(mm/inch)	OUTER DIMENSIONS	TERMINAL TYPE
<ul style="list-style-type: none"> ■ Length 329±2.0 (12.95±0.08) ■ Width 172±2.0 (6.77±0.08) ■ Container Height 215±2.0 (8.46±0.08) ■ Total Height B3:238±2.0 (9.37±0.08) I2:218.5±2.0 (8.60±0.08) 		<ul style="list-style-type: none"> ● Terminal B3 ● Terminal I2  <p>Terminal Hardware Initial Torque: B3,I2(5.5Nm±5%)</p>

Constant power discharge characteristics at 25 °C/77 °F								Unit: W
Discharge Time F.V. (V/cell)	15 Min	30 Min	1 Hr	3 Hr	5 Hr	10 Hr	20 Hr	
1.80V	1877	1142	655.0	262.3	180.9	101.08	53.19	
1.75V	1963	1186	674.7	267.6	183.6	102.60	54.00	
1.70V	2024	1213	686.8	270.0	184.6	103.11	54.28	
1.65V	2071	1230	695.0	271.9	185.2	103.42	54.43	
1.60V	2112	1242	702.0	273.5	185.8	103.42	54.43	

Constant current discharge characteristics at 25 °C/77 °F								Unit: A
Discharge Time F.V. (V/cell)	15 Min	30 Min	1 Hr	3 Hr	5 Hr	10 Hr	20 Hr	
1.80V	166.1	96.8	55.04	21.86	15.07	8.42	4.43	
1.75V	173.7	100.5	56.70	22.30	15.30	8.55	4.50	
1.70V	179.1	102.8	57.71	22.50	15.38	8.59	4.52	
1.65V	183.2	104.2	58.41	22.66	15.44	8.62	4.54	
1.60V	186.9	105.3	58.99	22.79	15.48	8.62	4.54	

All data and artworks shall be changed without prior notice, BB reserves the right to explain and update the information contained hereinto.

For operation, please refer to the instruction from technical manual.

B/2 REV. May. 2021

Powered by **B.B. Tech(Changsha)Co., Ltd.**