



VRLA Rechargeable Battery

BPL170-6



FEATURES

- Maintenance free(no water topping-up required)
- No free acid(Non-spillable battery)
- Low self-discharge rate
- Can be used in any orientation(excluding used inverted)
- Long life expectancy 12+ years in float application
- Filtered with explosion proof filter
- Flame-arrestor is installed to ensure safety
- Absorbent Glass Mat technology for efficient gas recombination


APPLICATION


- UPS
- Telecom



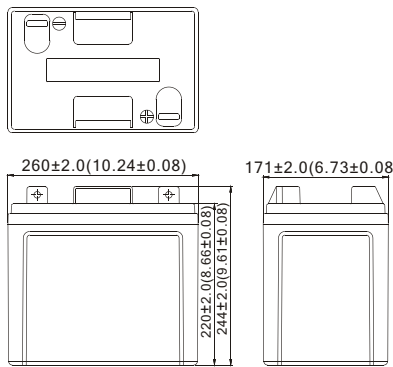
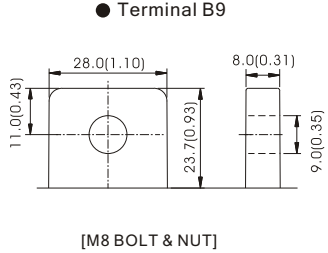
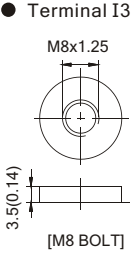
SPECIFICATIONS

Nominal Voltage	6 V
Nominal Capacity	170.0Ah @ 20 hour rate F.V.(1.75V/cell)
Approx. Weight	29.2Kg(64.4lbs.)
Terminals	B9 (Fitting M8 bolt & nut) I3 is optional
Internal Resistance	≤2.5mΩ (Fully Charged)
Max. Discharge Current	800 A (5 sec.)
Max. Charge Current	51 A
Operating Temperature Range	Charge: 0°C~40°C(32°F~104°F) Discharge: -20°C~50°C(-4°F~122°F) Storage: -20°C~40°C(-4°F~104°F)
Container Material	Standard: ABS(UL94 HB) BPL170-6 Optional: Flame Retardant ABS(UL94 V-0) BPL170-6FR


 MH19884


 C4M20310-2474-E-16

- IEC 60896-21/22
- JIS C 8704-2
- GB/T 19638.2

DIMENSION(mm/inch)	OUTER DIMENSIONS	TERMINAL TYPE
<ul style="list-style-type: none"> ■ Length 260±2.0 (10.24±0.08) ■ Width 171±2.0 (6.73±0.08) ■ Container Height 220±2.0 (8.66±0.08) ■ Total Height 244±2.0 (9.61±0.08) 		<ul style="list-style-type: none"> ● Terminal B9  [M8 BOLT & NUT] ● Terminal I3  [M8 BOLT] <p style="text-align: center;">Terminal Hardware Initial Torque: B9/I3(10.0Nm±5%)</p>

Constant power discharge characteristics at 25 °C/77 °F Unit: W

Discharge Time F.V. (V/cell)	15 Min	30 Min	1 Hr	3 Hr	5 Hr	10 Hr	20 Hr
1.80V	1636	1100	618.7	247.7	170.9	95.4	50.36
1.75V	1711	1142	637.1	252.7	173.4	96.9	51.00
1.70V	1764	1168	648.7	255.0	174.4	97.4	51.26
1.65V	1805	1184	656.4	256.8	175.0	97.6	51.38
1.60V	1841	1196	663.0	258.3	175.5	97.6	51.38

Constant current discharge characteristics at 25 °C/77 °F Unit: A

Discharge Time F.V. (V/cell)	15 Min	30 Min	1 Hr	3 Hr	5 Hr	10 Hr	20 Hr
1.80V	284.5	186.4	104.0	41.28	28.48	15.91	8.39
1.75V	297.6	193.5	107.1	42.12	28.90	16.15	8.50
1.70V	306.8	198.0	109.0	42.50	29.06	16.23	8.54
1.65V	313.9	200.7	110.3	42.80	29.16	16.27	8.56
1.60V	320.1	202.8	111.4	43.05	29.24	16.27	8.56

All data and artworks shall be changed without prior notice, BB reserves the right to explain and update the information contained hereinto.

For operation, please refer to the instruction from technical manual.

A/4 REV. Apr. 2019

Powered by **B.B. Tech(Changsha) Co., Ltd.**