



VRLA Rechargeable Battery

BPL33-12 Finger Type



FEATURES

- Maintenance free(no water topping-up required)
- No free acid(Non-spillable battery)
- Low self-discharge rate
- Can be used in any orientation(excluding used inverted)
- Long life expectancy 12+ years in float application
- Absorbent Glass Mat technology for efficient gas recombination


APPLICATION

- UPS
- Wheelchairs
- Lawn Mowers
- Electronic Medical Equipment
- Golf-Carts




SPECIFICATIONS

Nominal Voltage	12 V
Nominal Capacity	33Ah @ 20 hour rate F.V.(1.75V/cell)
Approx. Weight	11.5Kg(25.36lbs.)
Terminals	B7 (Fitting M6 bolt & nut) I2 is optional
Internal Resistance	≤9.0mΩ (Fully Charged)
Max. Discharge Current	495 A (5 sec.)
Max. Charge Current	9.9 A
Operating Temperature Range	Charge: 0°C~40°C(32°F~104°F) Discharge: -20°C~50°C(-4°F~122°F) Storage: -20°C~40°C(-4°F~104°F)
Container Material	Standard: ABS(UL94 HB) BPL33-12 Optional: Flame Retardant ABS(UL94 V-0) BPL33-12FR

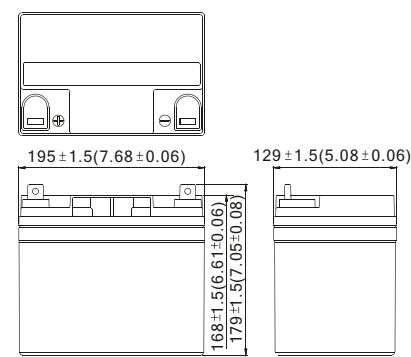
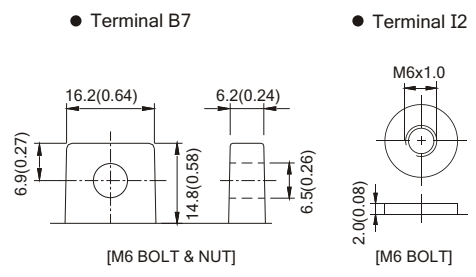


MH19884



C4M20310-2474-E-16

- IEC 61056-1
- JIS C 8702-1
- GB/T 19639.1

DIMENSION(mm/inch)	OUTER DIMENSIONS	TERMINAL TYPE
<ul style="list-style-type: none"> ■ Length 195±1.5 (7.68±0.06) ■ Width 129±1.5 (5.08±0.06) ■ Container Height 168±1.5 (6.61±0.06) ■ Total Height B7:179±2.0 (7.05±0.08) I2:168±2.0 (6.61±0.08) 		<ul style="list-style-type: none"> ● Terminal B7 ● Terminal I2  <p>Terminal Hardware Initial Torque: B7/I2 (5.5Nm±5%)</p>

Constant power discharge characteristics at 25 °C/77 °F										Unit: W
Discharge Time F.V. (V/cell)	5 Min	10 Min	15 Min	30 Min	1 Hr	3 Hr	5 Hr	10 Hr	20 Hr	
1.80V	1075.0	808.0	654.3	393.6	228.2	96.2	66.50	37.05	19.38	
1.75V	1245.0	875.4	685.0	408.7	234.8	98.1	67.40	37.62	19.80	
1.70V	1320.0	907.0	705.7	417.7	239.0	99.0	67.90	37.81	19.89	
1.65V	1381.0	928.7	722.2	423.8	242.3	99.9	68.40	37.90	19.94	
1.60V	1424.0	947.1	736.4	428.1	244.7	100.4	68.40	37.90	19.94	

Constant current discharge characteristics at 25 °C/77 °F										Unit: A
Discharge Time F.V. (V/cell)	5 Min	10 Min	15 Min	30 Min	1 Hr	3 Hr	5 Hr	10 Hr	20 Hr	
1.80V	96.8	71.1	56.9	33.4	19.2	8.02	5.54	3.09	1.62	
1.75V	114.2	77.1	59.6	34.6	19.7	8.18	5.62	3.14	1.65	
1.70V	121.1	79.8	61.4	35.4	20.1	8.25	5.66	3.15	1.66	
1.65V	126.7	81.8	62.8	35.9	20.4	8.33	5.70	3.16	1.66	
1.60V	130.6	83.4	64.0	36.3	20.6	8.37	5.70	3.16	1.66	

All data and artworks shall be changed without prior notice, BB reserves the right to explain and update the information contained hereinto.