



# VRLA Rechargeable Battery

## BPL95-12



### FEATURES

- Maintenance free(no water topping-up required).
- No free acid(Non-spillable battery).
- Low self-discharge rate, lower than 3% capacity loss per month.
- Can be used in any orientation(excluding used inverted).
- Filtered with explosion proof filter.
- Flame-arrestor is installed to ensure safety.
- Carry handles for easy installation.
- Absorbent Glass Mat technology for efficient gas recombination.



### APPLICATION

- UPS
- Telecom
- Golf-carts

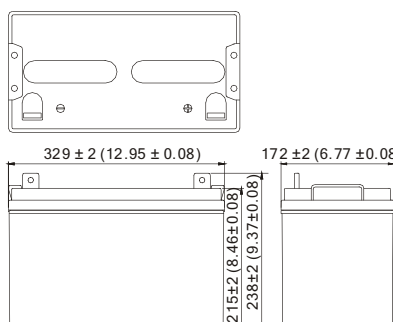
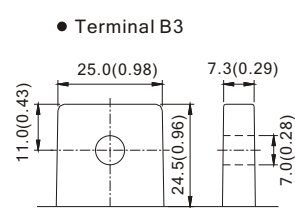
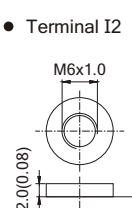


### SPECIFICATIONS

Nominal Voltage	12 V
Nominal Capacity	95.0Ah @ 20 hour rate F.V.(1.75V/cell)
Approx. Weight	33.2Kg(73.2lbs.)
Terminals	B3 (Fitting M6 bolt & nut) I2 is optional
Internal Resistance	≤4.5mΩ (Fully Charged)
Max. Discharge Current	800 A (5 sec.)
Max. Charge Current	28.5 A
Operating Temperature Range	Charge: 0°C~40°C(32°F~104°F) Discharge: -20°C~50°C(-4°F~122°F) Storage: -20°C~40°C(-4°F~104°F)
Container Material	Standard: ABS( UL94 HB) BPL95-12 Optional: Flame Retardant ABS(UL94 V-0) BPL95-12FR

  
 MH19884  
  
  
 C4M20310-2474-E-16

- IEC 60896-21/22
- JIS C 8704-2
- GB/T 19638.2

DIMENSION(mm/inch)	OUTER DIMENSIONS	TERMINAL TYPE
<ul style="list-style-type: none"> <li>■ Length 329±2.0 (12.95±0.08)</li> <li>■ Width 172±2.0 (6.77±0.08)</li> <li>■ Container Height 215±2.0 (8.46±0.08)</li> <li>■ Total Height B3:238±2.0 (9.37±0.08) I2:218.5±2.0 (8.60±0.08)</li> </ul>		<ul style="list-style-type: none"> <li>● Terminal B3              [M6 BOLT &amp; NUT]         </li> <li>● Terminal I2              [M6 BOLT]         </li> </ul> <p style="text-align: center;">Terminal Hardware Initial Torque: B3/I2 (5.5Nm±5%)</p>

**Constant power discharge characteristics at 25 °C/77 °F Unit: W**

Discharge Time F.V. (V/cell)	15 Min	30 Min	1 Hr	3 Hr	5 Hr	10 Hr	20 Hr
1.80V	2007	1201	654.7	275.6	191.0	106.44	55.70
1.75V	2129	1246	675.1	281.4	193.9	108.05	57.00
1.70V	2228	1274	686.8	284.3	194.7	108.63	57.16
1.65V	2280	1292	695.5	285.8	195.4	108.92	57.30
1.60V	2326	1304	702.8	287.2	195.4	108.92	57.30

**Constant current discharge characteristics at 25 °C/77 °F Unit: A**

Discharge Time F.V. (V/cell)	15 Min	30 Min	1 Hr	3 Hr	5 Hr	10 Hr	20 Hr
1.80V	181	106.3	55.0	23.0	15.9	8.87	4.64
1.75V	194	110.2	56.7	23.5	16.2	9.00	4.75
1.70V	203	112.7	57.7	23.7	16.2	9.05	4.76
1.65V	207	114.3	58.4	23.8	16.3	9.08	4.78
1.60V	211	115.4	59.1	23.9	16.3	9.08	4.78