



VRLA Rechargeable Battery

BPS5-12



FEATURES

- Maintenance free(no water topping-up required).
- No free acid(Non-spillable battery).
- Low self-discharge rate, lower than 3% capacity loss per month.
- Can be used in any orientation(excluding used inverted).
- Absorbent Glass Mat technology for efficient gas recombination.


APPLICATION

- UPS
- Electronic Doorbells
- Toy-Cars
- Fans




SPECIFICATIONS

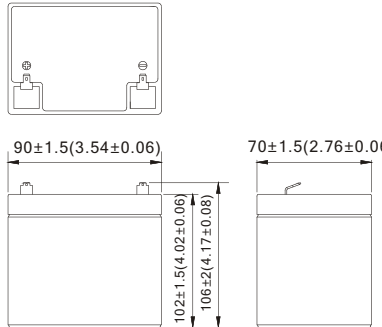
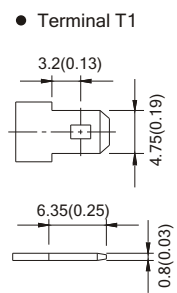
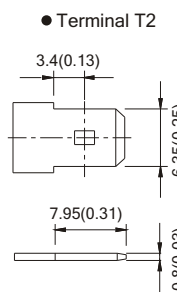
Nominal Voltage	12 V
Nominal Capacity	5.0Ah @ 20 hour rate F.V.(1.75V/cell)
Approx. Weight	1800g(3.97lbs.)
Terminals	T1 (Faston Tab 187) T2 is optional
Internal Resistance	≤27m Ω (Fully Charged)
Max. Discharge Current	75 A (5 sec.)
Max. Charge Current	1.5 A
Operating Temperature Range	Charge : 0°C~40°C(32°F~104°F) Discharge : -20°C~50°C(-4°F~122°F) Storage. : -20°C~40°C(-4°F~104°F)
Container Material	Standard: ABS(UL 94-HB) BPS5-12 Optional: Flame Retardant ABS (UL 94-V0) BPS5-12FR



MH19884



- IEC 61056-1
- JIS C 8702-1
- GB/T 19639.1

DIMENSION(mm/inch)	OUTER DIMENSIONS	TERMINAL TYPE
<p>■ Length 90±1.5(3.54±0.06)</p> <p>■ Width 70±1.5(2.76±0.06)</p> <p>■ Container Height 102±1.5(4.02±0.06)</p> <p>■ Total Height 106±2.0(4.17±0.08)</p>		<p>● Terminal T1</p>  <p>● Terminal T2</p> 

Constant power discharge characteristics at 25 °C/77 °F Unit: W

Discharge Time F.V. (V/cell)	5 Min	10 Min	15 Min	30 Min	1 Hr	3 Hr	5 Hr	10 Hr	20 Hr
1.80V	180.8	133.1	106.6	63.5	36.39	14.57	10.05	5.62	2.96
1.75V	209.2	144.2	111.5	65.9	37.48	14.87	10.20	5.70	3.00
1.70V	222.3	149.4	115.0	67.4	38.16	15.00	10.26	5.73	3.01
1.65V	232.3	152.9	117.6	68.3	38.61	15.10	10.29	5.75	3.02
1.60V	240.0	156.0	120.0	69.0	39.00	15.20	10.32	5.75	3.02

Constant current discharge characteristics at 25 °C/77 °F Unit: A

Discharge Time F.V. (V/cell)	5 Min	10 Min	15 Min	30 Min	1 Hr	3 Hr	5 Hr	10 Hr	20 Hr
1.80V	16.3	11.71	9.27	5.38	3.06	1.21	0.837	0.468	0.246
1.75V	19.2	12.69	9.70	5.58	3.15	1.24	0.850	0.475	0.250
1.70V	20.4	13.15	10.00	5.71	3.21	1.25	0.855	0.477	0.251
1.65V	21.3	13.46	10.23	5.79	3.24	1.26	0.858	0.479	0.252
1.60V	22.0	13.73	10.43	5.85	3.28	1.27	0.860	0.479	0.252

All data shall be changed without prior notice, BB reserves the right to explain and update the information contained herein.