



# VRLA Rechargeable Battery

## EP80-12



### FEATURES

- Absorbent Glass Mat technology for efficient gas recombination
- Maintenance free(no water topping-up required)
- No free acid(Non-spillable battery)
- Can be used in any orientation(excluding used inverted)
- The battery is designed for heavy duty cyclic application


### APPLICATIONS

- UPS
- EV
- Telecom
- Golf-Carts




### SPECIFICATIONS

Nominal Voltage	12 V
Nominal Capacity	80Ah @ 20 hour rate F.V.(1.75V/cell)
Approx. Weight	31.2Kg(68.8lbs.)
Terminals	B3 (Fitting M6 bolt & nut) I2 is optional
Internal Resistance	≤5.0mΩ (Fully Charged )
Max. Discharge Current	800 A (5 sec.)
Max. Charge Current	24 A
Operating Temperature Range	Charge 0°C~40°C(32°F~104°F) Discharge -20°C~50°C(-4°F~122°F) Storage. -20°C~40°C(-4°F~104°F)
Container Material	Standard: ABS( UL94 HB) EP80-12 Optional: Flame Retardant ABS(UL94 V-0) EP80-12FR

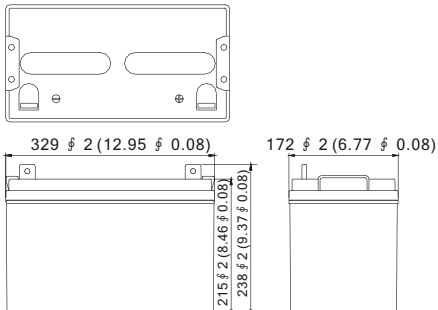
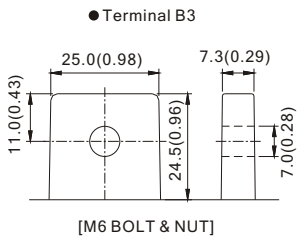
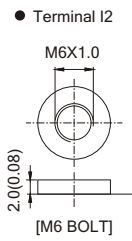


MH19884



C4M20310-2474-E-16

- IEC 60896-21/22
- JIS C 8704-2
- GB/T 19638.2

DIMENSION(mm/inch)	OUTER DIMENSIONS	TERMINAL TYPE
<ul style="list-style-type: none"> <li>■ <b>Length</b> 329±2.0 (12.95±0.08)</li> <li>■ <b>Width</b> 172±2.0 (6.77±0.08)</li> <li>■ <b>Container Height</b> 215±2.0 (8.46±0.08)</li> <li>■ <b>Total Height</b> B3:238±2.0 (9.37±0.08) I2:218.5±2.0(8.60±0.08)</li> </ul>		<div style="display: flex; justify-content: space-around;"> <div style="text-align: center;"> <p>● Terminal B3</p>  <p>[M6 BOLT &amp; NUT]</p> </div> <div style="text-align: center;"> <p>● Terminal I2</p>  <p>[M6 BOLT]</p> </div> </div> <p style="text-align: center; font-size: small;">Terminal Hardware Initial Torque: B3,I2(5.5Nm±5%)</p>

Constant power discharge characteristics at 25 °C/77 °F								Unit: W
Discharge Time F.V. (V/cell)	15 Min	30 Min	1 Hr	3 Hr	5 Hr	10 Hr	20 Hr	
1.80V	1586	1015	553	233	161	89.8	47.0	
1.75V	1661	1054	569	238	163	91.2	48.0	
1.70V	1711	1078	579	240	165	91.7	48.2	
1.65V	1751	1093	587	242	166	91.9	48.3	
1.60V	1785	1104	593	243	166	91.9	48.3	

Constant current discharge characteristics at 25 °C/77 °F								Unit: A
Discharge Time F.V. (V/cell)	15 Min	30 Min	1 Hr	3 Hr	5 Hr	10 Hr	20 Hr	
1.80V	143	89.8	46.5	19.4	13.4	7.49	3.91	
1.75V	151	93.3	47.8	19.8	13.6	7.60	4.00	
1.70V	156	95.4	48.7	20.0	13.7	7.64	4.02	
1.65V	159	96.7	49.4	20.2	13.8	7.66	4.03	
1.60V	162	97.7	49.8	20.3	13.8	7.66	4.03	

All data and artworks shall be changed without prior notice, BB reserves the right to explain and update the information contained hereinto.

For operation, please refer to the instruction from technical manual.

B/2 REV.May. 2021

Powered by **B.B. Tech(Changsha)Co., Ltd.**