

# VRLA Rechargeable Battery

## FTB155-12



### FEATURES

- Absorbent Glass Mat technology for efficient gas recombination
- Front accessible terminal for ease of assembly
- Carry handles for ease of installation
- Strengthened rib design to maintain structural integrity
- Flame-arrestor is installed to ensure safety
- Battery design allows for 48VDC configuration in a standard 19" rack
- One-way self-resealing safety valve for long life guarantee


### APPLICATIONS

- Telecom
- UPS
- Broadband
- Electric Utility
- Railroad Signal
- Central Office




### SPECIFICATIONS

Nominal Voltage	12 V
Nominal Capacity	155Ah @ 8 hour rate F.V.(1.75V/cell)
Approx. Weight	55.4Kg(122.1lbs.)
Terminals	I3 (M8 Female Thread)
Internal Resistance	≤ 2.8m Ω (Fully Charged )
Max. Discharge Current	800 A (5 sec.)
Max. Charge Current	38.8 A
Operating Temperature Range	Charge : 0°C~40°C(32°F~104°F) Discharge : -20°C~50°C(-4°F~122°F) Storage : -20°C~40°C(-4°F~104°F)
Safety Valve	Opening pressure 10~35 kPa
Container Material	Standard: ABS( UL94 HB) FTB155-12 Optional: Flame Retardant ABS(UL94 V-0) FTB155-12FR

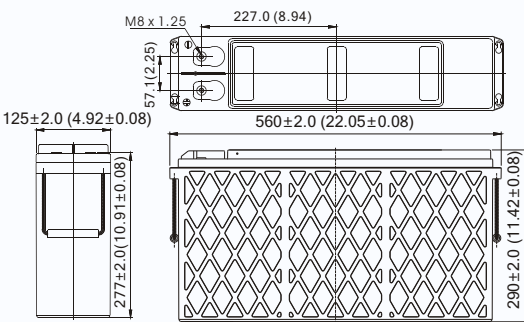
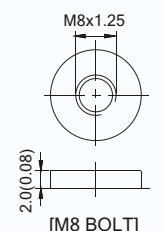


MH19884



C4M20310-2474-E-16

- IEC60896
- BS6290/4
- GB/T 19638
- Eurobat guide

DIMENSION(mm/inch)	OUTER DIMENSIONS	TERMINAL TYPE
<p>■ <b>Length</b> 560±2.0 (22.05±0.08)</p> <p>■ <b>Width</b> 125±2.0 (4.92±0.08)</p> <p>■ <b>Container Height</b> 290±2.0 (11.42±0.08)</p> <p>■ <b>Total Height</b> 290±2.0 (11.42±0.08)</p>		<p>● Terminal I3</p>  <p>[M8 BOLT]</p> <p>Terminal Hardware Initial Torque: 10.0Nm ±5%</p>

### Constant power discharge characteristics at 25 °C/77 °F Unit: W

F.V. (V/cell) \ Discharge Time	15 Min	30 Min	45 Min	1 Hr	2 Hr	3 Hr	4 Hr	5 Hr	8 Hr	10 Hr	20 Hr
1.90V	2057	1767	1291	996.4	631.0	458.0	361.7	298.8	204.60	167.83	90.72
1.85V	2436	1944	1411	1109.2	695.0	500.4	394.3	325.0	225.30	182.40	98.64
1.80V	2743	2065	1490	1171.5	722.9	518.6	407.6	334.6	227.90	188.84	102.10
1.75V	2953	2143	1540	1200.0	737.1	525.9	414.9	341.8	231.60	190.78	103.80
1.70V	3129	2190	1570	1218.5	744.2	530.7	418.5	343.0	231.60	190.78	103.80
1.65V	3241	2222	1591	1235.0	750.1	535.6	422.2	344.2	231.60	190.78	103.80
1.60V	3300	2244	1605	1242.5	753.1	537.5	423.4	345.2	232.11	191.12	103.90

### Constant current discharge characteristics at 25 °C/77 °F Unit: A

F.V. (V/cell) \ Discharge Time	15 Min	30 Min	45 Min	1 Hr	2 Hr	3 Hr	4 Hr	5 Hr	8 Hr	10 Hr	20 Hr
1.90V	178.3	147.3	107.6	84.80	53.25	38.33	30.20	24.90	17.05	14.00	7.56
1.85V	215.3	163.6	118.3	94.40	58.65	41.88	32.86	27.20	18.85	15.20	8.22
1.80V	246.6	175.0	125.6	100.0	61.00	43.40	34.00	28.20	19.07	15.74	8.51
1.75V	264.5	181.6	129.8	102.10	62.20	44.01	34.60	28.60	19.38	15.90	8.65
1.70V	277.8	185.6	132.4	103.70	62.80	44.40	34.90	28.70	19.38	15.90	8.65
1.65V	281.8	188.3	134.2	105.10	63.30	44.80	35.20	28.80	19.38	15.90	8.65
1.60V	287.0	190.1	135.3	105.73	63.55	44.96	35.31	28.88	19.42	15.93	8.66

All data and artworks shall be changed without prior notice, BB reserves the right to explain and update the information contained herein.