

FEATURES

- The sulfuric acid is mixed with silica fume, which makes the resulting mass gel-like and immobile.
- Increased durability and deep cycle ability for heavy demand.
- High temperature stability, mechanical strength and low acid displacement.
- Superior performance with deep discharges.
- Patented safety valve to have accurate pressure operating for long battery life.

APPLICATIONS

- UPS
- Security
- Telecommunication
- Electronic Medical Equipment
- Emergency Lighting



SPECIFICATIONS

Nominal Voltage	12 V
Nominal Capacity	210 Ah @ 20 hour rate F.V.(1.75V/cell) 200 Ah @ 10 hour rate F.V.(1.80V/cell)
Approx. Weight	66.5Kg(146.7lbs.)
Terminals	B9 (Fitting M8 bolt & nut) I3 is optional
Internal Resistance	≤3.5m Ω (Fully Charged)
Max. Discharge Current	800 A (5 sec.)
Max. Charge Current	42.0 A
Self Discharge	< 2% per month (25°C)
Operating Temperature Range	-20°C~55°C(-4°F~131°F)
Container Material	Standard: ABS(UL94 HB) GB 12/210 Optional: Flame Retardant ABS(UL94 V-0) GB 12/210FR



MH19884



- GB/T 19638.2-2005
- IEC60896-21/22 2004

DIMENSION(mm/inch)

OUTER DIMENSIONS

TERMINAL TYPE

Length

522±2.0 (20.55±0.08)

Width

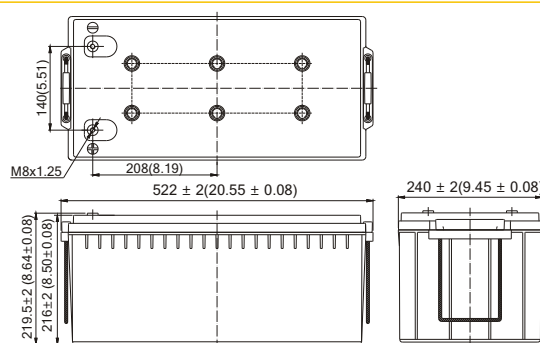
240±2.0 (9.45±0.08)

Container Height

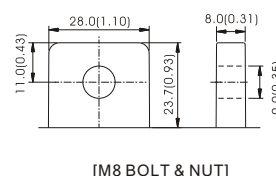
216±2.0 (8.50±0.08)

Total Height

219.5±2.0 (8.64±0.08)

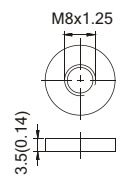


Terminal B9



[M8 BOLT & NUT]

Terminal I3



[M8 BOLT]

Terminal Hardware Initial Torque: B9,I3(10.0Nm±5%)

Constant power discharge characteristics at 25 °C/77 °F

Unit: W

F.V. (V/cell) \ Discharge Time	30 Min	1 Hr	3 Hr	5 Hr	10 Hr	20 Hr
1.80V	2358	1395	609.0	420.0	240.0	122.40
1.75V	2394	1437	621.3	427.2	240.5	126.00
1.70V	2412	1467	628.8	430.8	241.0	126.84
1.65V	2419	1485	633.6	432.0	241.3	127.32
1.60V	2419	1500	636.9	433.2	241.7	127.80

Constant current discharge characteristics at 25 °C/77 °F

Unit: A

F.V. (V/cell) \ Discharge Time	30 Min	1 Hr	3 Hr	5 Hr	10 Hr	20 Hr
1.80V	196.5	118.8	50.98	35.00	20.00	10.20
1.75V	199.5	122.4	52.00	35.60	20.04	10.50
1.70V	201.0	125.1	52.63	35.90	20.08	10.57
1.65V	201.6	126.6	53.05	36.00	20.11	10.61
1.60V	201.6	127.8	53.32	36.11	20.14	10.65

All data and artworks shall be changed without prior notice, BB reserves the right to explain and update the information contained hereinto.