



FEATURES

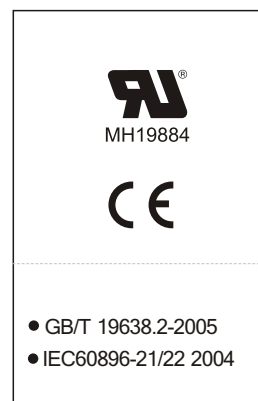
- The sulfuric acid is mixed with silica fume, which makes the resulting mass gel-like and immobile.
- Increased durability and deep cycle ability for heavy demand.
- High temperature stability, mechanical strength and low acid displacement.
- Superior performance with deep discharges.
- Patented safety valve to have accurate pressure operating for long battery life.

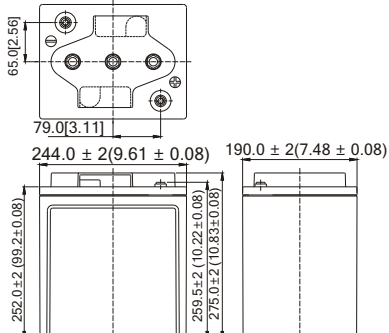
APPLICATION

- UPS
- Security
- Telecommunication
- Electronic Medical Equipment
- Emergency Lighting

SPECIFICATIONS

Nominal Voltage	6V
Nominal Capacity	200 Ah @ 20 hour rate F.V.(1.75V/cell) 190 Ah @ 10 hour rate F.V.(1.80V/cell)
Approx. Weight	32800g(72.31lbs.)
Terminals	I3(I4 is optional)
Internal Resistance	≤2.5mΩ (Fully Charged)
Max. Discharge Current	800 A (5 sec.)
Max. Charge Current	40.0 A
Self Discharge	< 2% per month (25°C)
Operating Temperature Range	-20°C~55°C(-4°F~131°F)
Container Material	Standard: ABS(UL94 HB) GB 6/200 Optional: Flame Retardant ABS(UL94 V-0) GB 6/200FR



DIMENSION(mm/inch)	OUTER DIMENSIONS	TERMINAL TYPE
<ul style="list-style-type: none"> ■ Length 244.0±2(9.61±0.08) ■ Width 190.0±2(7.48±0.08) ■ Container Height 275.0±2(10.83±0.08) ■ Total Height 275.0±2(10.83±0.08) 		<ul style="list-style-type: none"> ● Terminal I3 M8x1.25 7.5(0.30) 2.8(0.11) [M8 BOLT] ● Terminal I4 M10x1.5 7.5(0.30) 2.8(0.11) [M10 BOLT] <p>Terminal Hardware Initial Torque: I3(10.0Nm±5%)</p>

Constant power discharge characteristics at 25 °C/77 °F							Unit: W
F.V. (V/cell)	Discharge Time	30 Min	1 Hr	3 Hr	5 Hr	10 Hr	20 Hr
1.80V		1123	664	290.0	212.2	114.0	59.10
1.75V		1140	684	295.8	215.4	114.5	60.00
1.70V		1149	699	299.4	217.2	114.9	60.47
1.65V		1152	707	301.8	217.9	115.3	60.65
1.60V		1152	714	303.3	218.6	115.3	60.65

Constant current discharge characteristics at 25 °C/77 °F							Unit: A
F.V. (V/cell)	Discharge Time	30 Min	1 Hr	3 Hr	5 Hr	10 Hr	20 Hr
1.80V		187.2	113.3	48.58	35.47	19.00	9.85
1.75V		190.0	116.7	49.55	36.00	19.11	10.00
1.70V		191.5	119.1	50.15	36.31	19.17	10.08
1.65V		192.1	120.5	50.55	36.43	19.22	10.11
1.60V		192.1	121.7	50.80	36.54	19.22	10.11

All data and artworks shall be changed without prior notice, BB reserves the right to explain and update the information contained hereinto.