

## FEATURES

- The sulfuric acid is mixed with silica fume, which makes the resulting mass gel-like and immobile.
- Increased durability and deep cycle ability for heavy demand.
- High temperature stability, mechanical strength and low acid displacement.
- Superior performance with deep discharges.
- Patented safety valve to have accurate pressure operating for long battery life.

## APPLICATIONS

- UPS
- Security
- Telecommunication
- Electronic Medical Equipment
- Emergency Lighting



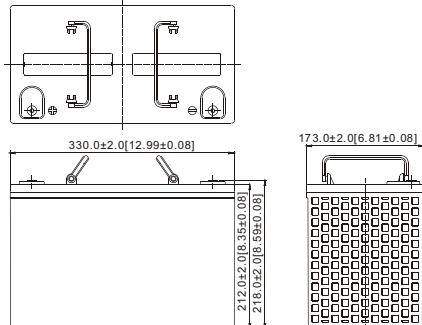
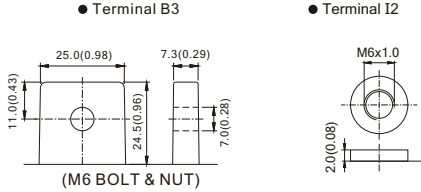
## SPECIFICATIONS

Nominal Voltage	12 V
Nominal Capacity	100 Ah @ 20 hour rate F.V.(1.75V/cell) 93.6 Ah @ 10 hour rate F.V.(1.80V/cell)
Approx. Weight	35.5Kg(78.26lbs.)
Terminals	B3 (Fitting M6 bolt & nut) I2 is optional
Internal Resistance	≤5mΩ (Fully Charged)
Max. Discharge Current	800 A (5 sec.)
Max. Charge Current	20.0 A
Self Discharge	< 2% per month (25°C)
Operating Temperature Range	-20°C~55°C(-4°F~131°F)
Container Material	Standard: PP (UL94 HB) GB 12/100 Optional: Flame Retardant PP(UL94 V-0) GB 12/100FR

  
MH19884



- IEC 60896-21/22
- JIS C 8704-2
- GB/T 19638.2

DIMENSION(mm/inch)	OUTER DIMENSIONS	TERMINAL TYPE
<ul style="list-style-type: none"> <li>■ <b>Length</b> 330±2.0(12.99±0.08)</li> <li>■ <b>Width</b> 173±2.0(6.81±0.08)</li> <li>■ <b>Container Height</b> 212±2.0(8.35±0.08)</li> <li>■ <b>Total Height</b> B3: 241±2.0 (9.49±0.08) I2: 218±2.0 (8.59±0.08)</li> </ul>		<ul style="list-style-type: none"> <li>● Terminal B3</li> <li>● Terminal I2</li> </ul>  <p>(M6 BOLT &amp; NUT)</p> <p>Terminal Hardware Initial Torque: B3,I2(5.5Nm±5%)</p>

### Constant power discharge characteristics at 25 °C/77 °F Unit: W

Discharge Time	30 Min	1 Hr	3 Hr	5 Hr	10 Hr	20 Hr
10.8V	1155	683	290	200.4	112.3	59.10
10.5V	1172	704	296	203.4	114.0	60.00
10.2V	1181	719	299	205.1	114.9	60.47
9.9V	1185	727	302	205.8	115.3	60.65
9.6V	1191	734	303	206.4	115.3	60.65

### Constant current discharge characteristics at 25 °C/77 °F Unit: A

Discharge Time	30 Min	1 Hr	3 Hr	5 Hr	10 Hr	20 Hr
10.8V	102.0	58.2	24.3	16.75	9.36	4.93
10.5V	103.5	60.0	24.8	17.00	9.50	5.00
10.2V	104.3	61.2	25.1	17.14	9.58	5.04
9.9V	104.6	62.0	25.3	17.20	9.60	5.05
9.6V	105.1	62.6	25.4	17.25	9.60	5.05

All data and artworks shall be changed without prior notice, BB reserves the right to explain and update the information contained hereinto.