



# VRLA Rechargeable Battery

## HR5.8-12



### FEATURES

- Maintenance free(no water topping-up required)
- No free acid(Non-spillable battery)
- Can be used in any orientation(excluding used inverted)
- The battery is designed for high rate usage
- Absorbent Glass Mat technology for efficient gas recombination
- The power density at 5 min~15min discharging rate is 30% higher than BP series


### APPLICATIONS

- UPS
- Toy-Cars
- Power Packs
- Emergency Lights
- Fishing Lights




### SPECIFICATIONS

Nominal Voltage	12 V
Nominal Capacity	5.3Ah @ 10 hour rate F.V.(1.75V/cell)
Approx. Weight	1880g(4.15lbs.)
Terminals	T1 (Faston Tab 187) T2 is optional
Internal Resistance	≤23mΩ (Fully Charged )
Max. Discharge Current	79.5 A (5 sec.)
Max. Charge Current	1.59 A
Operating Temperature Range	Charge 0°C~40°C(32°F~104°F) Discharge -20°C~50°C(-4°F~122°F) Storage. -20°C~40°C(-4°F~104°F)
Container Material	Standard: ABS( UL94 HB) HR5.8-12 Optional: Flame Retardant ABS(UL94 V-0) HR5.8-12FR

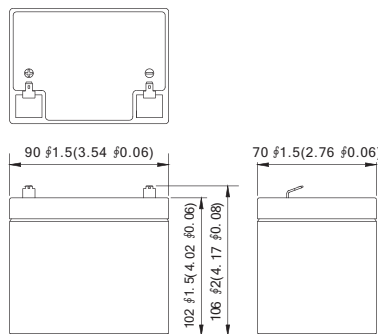
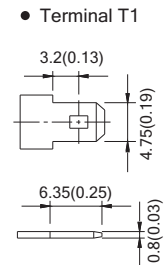
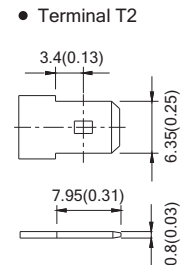


MH19884



C4M20310-2474-E-16

- IEC 61056-1
- JIS C 8702-1
- GB/T 19639.1

DIMENSION(mm/inch)	OUTER DIMENSIONS	TERMINAL TYPE
<p>■ Length</p> <p>90±1.5 (3.54±0.06)</p> <p>■ Width</p> <p>70±1.5 (2.76±0.06)</p> <p>■ Container Height</p> <p>102±1.5 (4.02±0.06)</p> <p>■ Total Height</p> <p>106±2.0 (4.17±0.08)</p>		<p>• Terminal T1</p>  <p>• Terminal T2</p> 

Constant power discharge characteristics at 25 °C/77 °F										Unit: W
F.V. (V/cell)	Discharge Time	5 Min	10 Min	15 Min	20 Min	30 Min	40 Min	50 Min	60 Min	120 Min
1.80V		237.8	162.4	117.6	100.3	76.3	58.0	48.5	42.7	23.5
1.70V		284.2	181.3	127.9	106.3	79.5	60.2	50.0	43.6	24.0
1.60V		304.5	190.7	133.7	110.2	81.2	61.6	51.0	44.4	24.4
1.50V		313.2	194.3	136.6	111.9	82.2	62.4	51.6	44.8	24.5
1.40V		319.0	196.9	138.2	113.0	82.8	62.8	52.1	45.1	24.6
1.30V		321.9	198.7	139.2	113.7	83.3	63.1	52.3	45.2	24.6

Constant current discharge characteristics at 25 °C/77 °F										Unit: A
F.V. (V/cell)	Discharge Time	5 Min	10 Min	15 Min	20 Min	30 Min	40 Min	50 Min	60 Min	120 Min
1.80V		21.23	14.24	10.17	8.61	6.46	4.88	4.05	3.55	1.96
1.70V		25.83	15.90	11.07	9.11	6.73	5.06	4.19	3.63	2.00
1.60V		27.68	16.73	11.57	9.45	6.88	5.18	4.27	3.70	2.03
1.50V		28.47	17.04	11.82	9.60	6.97	5.24	4.32	3.73	2.04
1.40V		29.00	17.28	11.95	9.69	7.02	5.28	4.36	3.76	2.05
1.30V		29.26	17.43	12.04	9.75	7.06	5.31	4.38	3.77	2.05

All data shall be changed without prior notice, BB reserves the right to explain and update the information contained hereinto.