



VRLA Rechargeable Battery

HR75-12



FEATURES

- Maintenance free(no water topping-up required)
- No free acid(Non-spillable battery)
- Can be used in any orientation(excluding used inverted)
- The battery is designed for high rate usage
- Absorbent Glass Mat technology for efficient gas recombination
- The power density at 5 min~15min discharging rate is 30% higher than BP series


APPLICATIONS

- UPS
- Wheelchairs
- Golf-Carts




SPECIFICATIONS

Nominal Voltage	12 V
Nominal Capacity	73Ah @ 10 hour rate F.V.(1.75V/cell)
Approx. Weight	24.75Kg(54.57lbs.)
Terminals	B5 (Fitting M6 bolt & nut) I2 is optional
Internal Resistance	≤4mΩ (Fully Charged)
Max. Discharge Current	650 A (5 sec.)
Max. Charge Current	21.9 A
Operating Temperature Range	Charge 0°C~40°C(32°F~104°F) Discharge -20°C~50°C(-4°F~122°F) Storage. -20°C~40°C(-4°F~104°F)
Container Material	Standard: ABS(UL94 HB) HR75-12 Optional: Flame Retardant ABS(UL94 V-0) HR75-12FR

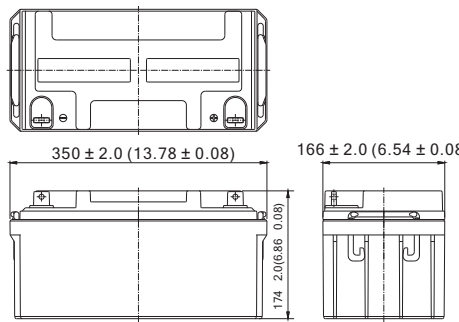
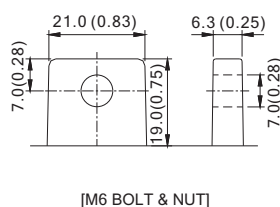
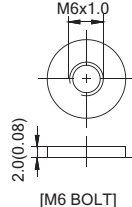


MH19884



C4M20310-2474-E-16

- IEC 61056-1
- JIS C 8702-1
- GB/T 19639.1

DIMENSION(mm/inch)	OUTER DIMENSIONS	TERMINAL TYPE
<ul style="list-style-type: none"> ■ Length 350±2.0 (13.78±0.08) ■ Width 166±2.0 (6.54±0.08) ■ Container Height 174±2.0 (6.85±0.08) ■ Total Height 174±2.0 (6.85±0.08) 		<div style="display: flex; justify-content: space-around;"> <div style="text-align: center;"> <p>● Terminal B5</p>  </div> <div style="text-align: center;"> <p>● Terminal I2</p>  </div> </div> <p style="text-align: center; font-size: small;">Terminal Hardware Initial Torque: B5/I2(5.5Nm±5%)</p>

Constant power discharge characteristics at 25 °C/77 °F										Unit: W
F.V. (V/cell)	Discharge Time	5 Min	10 Min	15 Min	20 Min	30 Min	40 Min	50 Min	60 Min	120 Min
1.80V		3019.5	2099.9	1520.7	1297.8	986.3	750.0	625.6	551.3	303.8
1.70V		3674.6	2344.4	1647.3	1373.0	1027.5	778.5	646.9	563.4	310.1
1.60V		3936.9	2465.8	1728.8	1425.1	1049.6	796.5	660.0	573.7	315.0
1.50V		4050.0	2512.6	1766.3	1447.5	1063.2	806.3	667.5	579.4	316.8
1.40V		4125.0	2547.9	1786.0	1460.4	1070.9	811.5	672.2	585.0	317.7
1.30V		4162.4	2565.0	1799.9	1470.0	1076.3	815.7	676.7	585.0	318.6

Constant current discharge characteristics at 25 °C/77 °F										Unit: A
F.V. (V/cell)	Discharge Time	5 Min	10 Min	15 Min	20 Min	30 Min	40 Min	50 Min	60 Min	120 Min
1.80V		274.50	184.20	131.55	111.30	83.59	63.08	52.35	45.94	25.31
1.70V		334.05	205.65	142.50	117.75	87.08	65.48	54.14	46.95	25.84
1.60V		357.90	216.30	149.55	122.22	88.95	66.99	55.23	47.81	26.25
1.50V		368.18	220.40	152.79	124.14	90.10	67.81	55.86	48.29	26.40
1.40V		375.00	223.50	154.50	125.25	90.75	68.25	56.25	48.75	26.48
1.30V		378.40	225.00	155.70	126.07	91.21	68.60	56.63	48.75	26.55

All data and artworks shall be changed without prior notice, BB reserves the right to explain and update the information contained hereinto.