

# VRLA Rechargeable Battery

# MPL110-12 Standard Type



## FEATURES

- Maintenance free(no water topping-up required)
- No free acid(Non-spillable battery)
- Can be used in any orientation(excluding used inverted)
- The battery is designed with very lower resistance and exceeding high power performance.
- Flame-arrestor is installed to ensure safety
- Absorbent Glass Mat technology for efficient gas recombination


## APPLICATIONS

- UPS
- Telecom
- Golf-Carts
- Cable TV
- Power station
- Marine




## SPECIFICATIONS

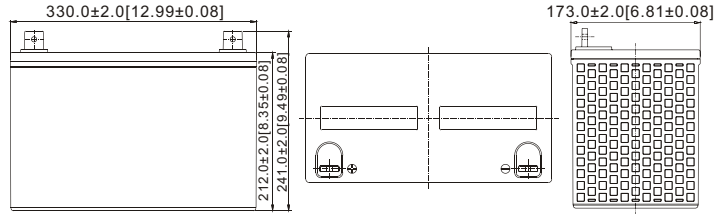
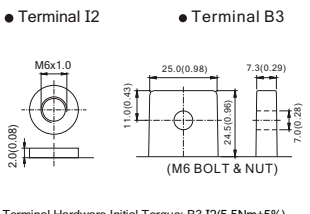
Nominal Voltage	12 V
Nominal Capacity	108Ah @ 10 hour rate F.V.(1.75V/cell)
Approx. Weight	34.3Kg(75.62lbs.)
Terminals	B3 (Fitting M6 bolt & nut) I2 is optional
Internal Resistance	≤3mΩ (Fully Charged )
Max. Charge Current	32.4 A
Cold Cranking Amp @ -18°C	850 A
Short Circuit Current	2900 A
Operating Temperature Range	Charge : 0°C~50°C(32°F~122°F) Discharge : -20°C~60°C(-4°F~140°F) Storage. : -20°C~50°C(-4°F~122°F)
Container Material	Standard: ABS( UL94 HB) MPL110-12 Optional: Flame Retardant ABS (UL94 V-0) MPL110-12FR



MH19884



- IEC60896-21/22
- JIS C 8704-2
- GB/T 19638.2

DIMENSION(mm/inch)	OUTER DIMENSIONS	TERMINAL TYPE
<p>■ <b>Length</b> 330±2.0 (12.99±0.08)</p> <p>■ <b>Width</b> 173±2.0 (6.81±0.08)</p> <p>■ <b>Container Height</b> 212±2.0 (8.35±0.08)</p> <p>■ <b>Total Height</b> B3:241±2.0 (9.49±0.08) I2:218±2.0 (8.59±0.08)</p>		<p>● Terminal I2      ● Terminal B3</p>  <p>Terminal Hardware Initial Torque: B3,I2(5.5Nm±5%)</p>

### Constant power discharge characteristics at 25 °C/77 °F Unit: W

Discharge Time F.V. (V/cell)	5 Min	10 Min	15 Min	20 Min	25 Min	30 Min	40 Min	50 Min	60 Min	90 Min
1.80V	3810	2815	2326	1945	1685	1480	1192	1000	867	616
1.75V	4270	3021	2460	2020	1736	1518	1216	1021	880	626
1.70V	4554	3145	2545	2073	1770	1542	1233	1033	890	633
1.65V	4740	3242	2602	2112	1798	1560	1248	1044	898	638
1.60V	4880	3305	2640	2140	1820	1574	1260	1052	906	642

### Constant current discharge characteristics at 25 °C/77 °F Unit: A

Discharge Time F.V. (V/cell)	5 Min	10 Min	15 Min	20 Min	25 Min	30 Min	40 Min	50 Min	60 Min	90 Min
1.80V	354	247	202	166	142	123	99	83.1	72.8	51.7
1.75V	389	267	213	174	148	128	101	85.6	73.9	52.6
1.70V	414	278	220	178	152	131	104	86.8	74.8	53.2
1.65V	430	286	226	182	154	133	105	88.0	75.5	53.7
1.60V	444	291	230	185	156	134	106	88.0	76.0	54.0

All data and artworks shall be changed without prior notice, BB reserves the right to explain and update the information contained hereinto.  
A/5 REV. Oct. 2023